

BATEMAN

- ESTABLISHED 1979 -



SUPERIOR LIVESTOCK EQUIPMENT



CONTACTS


SALES OFFICE

+44 (0)1538 361 326

sales@lmbateman.co.uk

 LM Bateman & Co  lmbateman79

 LMBateman79  lmbatemanuk

 LM Bateman & Co

www.lmbateman.co.uk

MARTIN THOMPSON

UK SALES MANAGER

07703 729 316 / martin.thompson@lmbateman.co.uk

1 CHRIS JENKINS

TERRITORY SALES MANAGER -

SCOTLAND AND NORTH EAST ENGLAND

Scotland • Borders • Highlands • Northumberland
Durham • Orkneys • Shetlands • Inner and Outer Hebrides

07738 265 131 / chris.jenkins@lmbateman.co.uk

2 JAMES HEATH

TERRITORY SALES MANAGER - MIDLANDS AND NORTH ENGLAND

Yorkshire • Nottinghamshire • Derbyshire • Staffordshire • Cheshire

07801 303 762 / james.heath@lmbateman.co.uk

3 NEIL PAMPLIN

TERRITORY SALES MANAGER - EAST AND SOUTH EAST ENGLAND

Leicestershire • Peterborough • Warwickshire • Northamptonshire • Cambridgeshire
Lincolnshire • Norfolk • Suffolk • Essex • Hertfordshire • Bedfordshire • London
Milton Keynes • Buckinghamshire • Oxfordshire • Gloucestershire • Berkshire
Surrey • Sussex • Kent

07718 111 710 / neil.pamplin@lmbateman.co.uk

4 WEZ HALL

TERRITORY SALES MANAGER - SOUTH WEST ENGLAND

Wiltshire • Cornwall • Bath • Somerset • Dorset • Devon
Plymouth • Hampshire • Isle of White • Channel Islands • Bristol

07801 303 770 / wez.hall@lmbateman.co.uk

5 GERAINT JONES

TERRITORY SALES MANAGER - WALES AND NORTH WEST ENGLAND

Cumbria • Lancashire • Liverpool • Manchester • Whole of Wales
Shropshire • Telford • Herefordshire • Worcestershire

07801 303 761 / geraint.jones@lmbateman.co.uk

IAN DARLINGTON

EXPORT SALES MANAGER

+44 (0) 7912 731 187 / ian.darlington@lmbateman.co.uk



CONTENTS

05 CATTLE CRUSHES

06 CATTLE CRUSHES

46 CRUSH ACCESSORIES

48 WEIGHING KITS

51 CATTLE HANDLING

52 SUPORHANDLER

56 STANDARD SYSTEMS

59 STARTER PACKS

60 RACE EQUIPMENT

65 HURDLES AND FRAMES

67 BULL PENNING

68 CATTLE GRIDS

69 CATTLE FEEDING

70 CATTLE FEED RINGS

71 CATTLE FEEDERS

72 CATTLE FEED FENCES

74 HOOK ON TROUGHES

75 TROUGHES AND BARLEY FEEDERS

76 CATTLE FEED TRAILER

77 CUBICLES

78 CUBICLES

80 SAMPLE CUBICLE LAYOUTS

81 CALF EQUIPMENT

82 CALF DE-HORNER

83 CALVING HURDLE

84 CALF CREEP FEEDER

85 CALF PENNING

86 CALF WEIGHERS

87 SHEEP HANDLING

88 SHEEPVET

92 SHEEP GRIP

96 DRAFTWEIGH

100 LAMB WEIGHERS

101 LAMB ADOPTER HURDLE

102 STANDARD/POLY SHEEP RACES

104 PORTABLE EQUIPMENT

106 SHEEP RACE EQUIPMENT

108 SHEEP HURDLES

109 SHEEP SYSTEMS

110 SYSTEM A

111 SYSTEM B

112 SYSTEM C

113 SYSTEM D

114 SYSTEM E

115 SHEEP FEEDING

116 SHEEP FEED RINGS

117 LAMB AND SHEEP FEEDERS

118 SHEEP FEEDING TROUGHES

119 BALE CRADLES

120 WALK THROUGH FEEDERS

121 SHEEP FEED TRAILERS

122 SHEEP FEED BARRIERS

123 GATES

124 FIELD GATES

126 YARD GATES

128 DEER GATES

130 MULTI PURPOSE GATES

131 POSTS

132 FURNITURE AND GROUND SOCKETS

133 WATER TROUGHES

134 STANDARD WATER TROUGHES

136 MEDIUM AND LARGE WATER TROUGHES

137 TIPPING WATER TROUGHES

138 SWIVEL WATER TROUGHES

139 DOG PENNING

140 DOG PENNING RUNS

141 MADE TO MEASURE

144 BESPOKE FEEDING SYSTEMS

146 HEAVY DUTY SHEETED DOORS

147 BESPOKE HANDLING SYSTEMS

148 AI STALLS

149 PIG EQUIPMENT

150 SPECIALIST PROJECTS

151 FOLLOW US

BATEMAN

LM Bateman & Co Ltd. was founded in 1979 by Melvyn Bateman and is a growing family business in its second generation now ran by Edward Bateman. In the 40 years that have followed, Bateman has become a market leader in the agricultural engineering world, now supplying over 25 countries throughout Europe and beyond. The business has always prided itself on offering a personalised service and that remains as important today as in the beginning. We combine family values with modern manufacturing techniques to continue offering the best service we can.

With headquarters based in Cheddleton, North Staffordshire, where the business originated, the site is in continual development. We have a second site in neighbouring Leekbrook, which has accommodated the expansion of our assembly division. Further development of distribution yards has made the Bateman site bigger and better than ever.

Bateman has its own fleet of vehicles servicing the whole of the UK delivering the very best quality products on the market. We supply equipment made from only the finest quality steel galvanised to ISO 1461. New and revolutionary advancements are being made all the time at Bateman. We continually work on improving the designs of our products and the manufacturing processes we use to produce them.

We have a team of dedicated external sales people who offer a no obligation quotation service on standard ranges and our bespoke made to measure products. We thank all our customers whether new or longstanding for their support.



TERMS AND CONDITIONS

All prices are exclusive of VAT.
 Carriage charges applicable to certain geographical areas.
 A carriage charge is applicable to orders below the minimum order value of £1,500.
 We reserve the right to change prices and specifications without prior notification.
 Photographs shown may not necessarily be to exact design.
 All equipment hot dip galvanised to ISO 1461 unless otherwise indicated or requested.
 All products are protected by design rights as detailed in the copyright designs and patent act 1988.
 Full terms of trading are available on request.
 Some self assembly may be required.
 All items to be invoiced via an appointed Bateman dealer.
 Damages or discrepancies must be clearly marked on the delivery note at the time of delivery or reported within 48 hours. After this time claims will not be considered. Images are required to make a claim.
 Bespoke/made to order items will not be manufactured without signed confirmation from customer.
 Cancelled orders may be subject to a restocking charge.

REGISTERED COMPANY ADDRESS:
 Island Works, Cheadle Road, Cheddleton, Staffordshire ST13 7HN
 Registered in England No. 1400024
 VAT No. GB318934830 EORI No. GB318934830000

ISSUE: JANUARY 2022



CATTLE CRUSHES

06 / CATTLE CRUSHES

46 / CRUSH ACCESSORIES

48 / WEIGHING KITS

All crushes are manufactured to be operated from the RIGHT as viewed from the rear of the crush, unless requested otherwise.



HYBRID

The Bateman Hybrid crush is exactly as the name suggests. It takes the best features of all our previous entry level crushes and combines them with a much stronger crush, making it the ideal all-around standard.

The Hybrid is the ultimate all-rounder. Offering a heavy-duty versatile crush at an entry level cost. With features like side access, TB access panels and rump bar which can be found on our higher end models.

KEY FEATURES

- Multi-function basic crush
- Foot trim compatible
- Manually operated head yoke
- Full access to animal
- Anti-slip bars and chequer plate flooring

CODE

506-01

RRP

£3188.84



[▶ VIEW PRODUCT VIDEO](#)



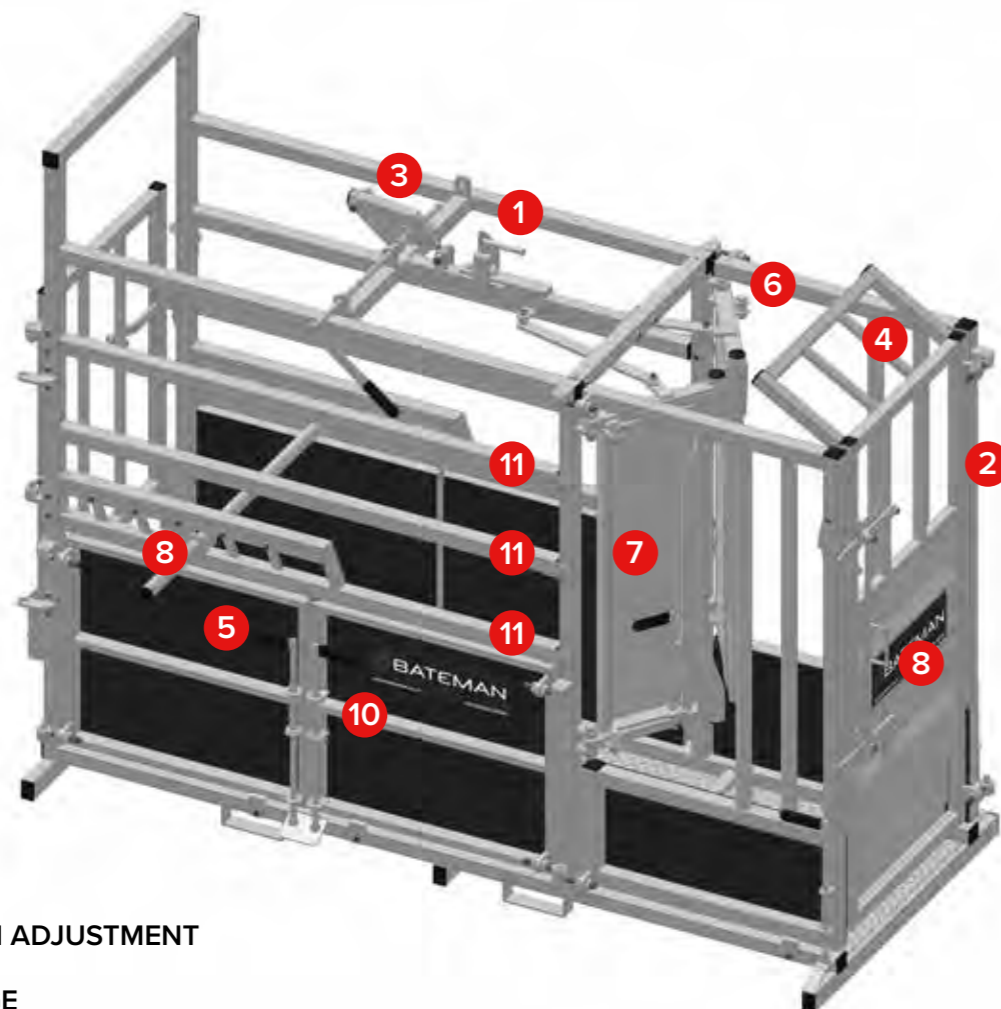
SPECIFICATION

CODE	506-01
RRP	£3188.84
OVERALL LENGTH	2540mm
INTERNAL WIDTH	750mm
OVERALL WIDTH	1110mm
INTERNAL HEIGHT	1650mm
OVERALL HEIGHT	2070mm
YOKE APERTURE WIDTH	120mm to 240mm
WEIGHT	440kg

FEATURES

LOAD BARS	FOOT TRIM	FORKLIFT BRACKETS	CHIN SCOOP
●	●	✓	✗

- ✓ STANDARD
- OPTIONAL EXTRA
- ✗ NOT AVAILABLE



- 1. YOKE WIDTH ADJUSTMENT
- 2. SAFETY CAGE
- 3. YOKE OPERATION
- 4. ANTI JUMP PANEL
- 5. CLAD WITH 6MM POLYPROPYLENE



6. MANUAL HEAD YOKE
Saloon style locking doors



7. TB ACCESS PANELS
Spring slide bolt panels for easy neck access



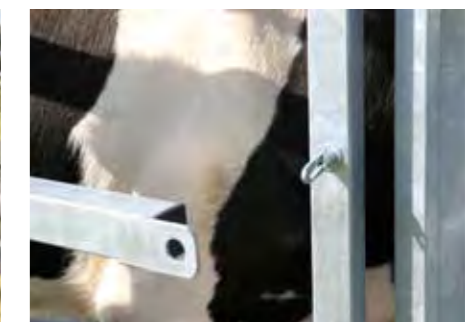
8. RUMP BAR
Slide in rump bar with non-return teeth in channel



9. FULL ACCESS FRONT



10. FULL ACCESS SIDE DOORS



11. THREE REMOVABLE SIDE BARS

AMBASSADOR

The standard version of the Ambassador crush offers versatility and is a great general-purpose cattle crush. The Ambassador provides the user with premium quality strength and several safety features making this crush stand out in the market place.

It is part of the fixed width range which represents excellent value for money whilst still offering the strength that is integral in Bateman crushes.

KEY FEATURES

- Good for horned cattle
- Manually operated yoke
- Foot trim package optional
- Full access to animal
- Anti-slip bars and chequer plate flooring
- Drop down rump bar

CODE
510-08

RRP
£4497.65



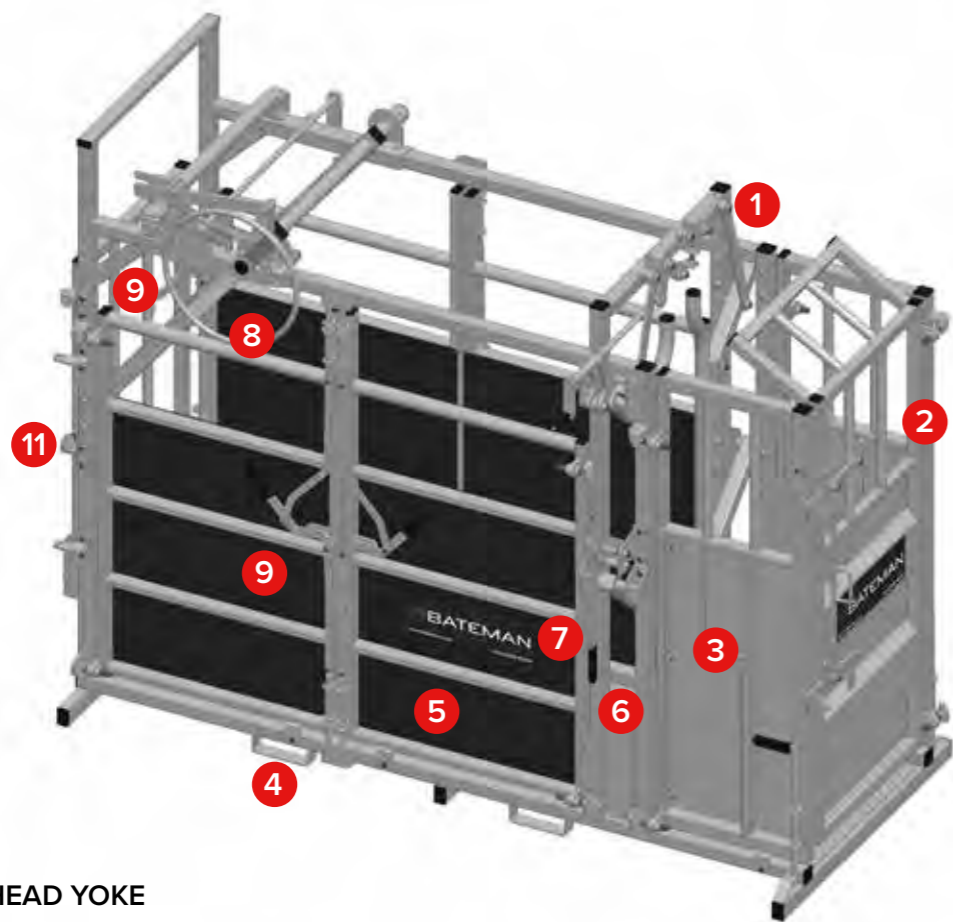
SPECIFICATION

CODE	510-08
RRP	£4497.65
OVERALL LENGTH	2540mm
INTERNAL WIDTH	750mm
OVERALL WIDTH	1110mm
INTERNAL HEIGHT	1770mm
OVERALL HEIGHT	2070mm
YOKE APERTURE WIDTH	130mm to 250mm
WEIGHT	510kg

FEATURES

LOAD BARS	FOOT TRIM	FORKLIFT BRACKETS	CHIN SCOOP
●	●	✓	●

- ✓ STANDARD
- OPTIONAL EXTRA
- ✗ NOT AVAILABLE



- 1. MANUAL HEAD YOKE
- 2. SAFETY CAGE
- 3. CHIN SCOOP ACCESS
- 4. FORKLIFT BRACKETS
- 5. CLAD WITH 6MM POLYPROPYLENE



6. YOKE LOCKED IN PLACE
Scissor style manual yoke



7. YOKE OPERATION
Easy to use yoke operation handle



8. DROP DOWN RUMP BAR
Revolving ratchet style rump bar



9. REAR GATE
Can be assembled any hand



10. FULL ACCESS SIDE DOORS



11. REMOVABLE SIDE BAR

AMBASSADOR SQUEEZE

The Ambassador squeeze crush has been our best-selling crush ever since it was released in 2013.

Offering a unique squeeze mechanism unrivalled by any other crush on the market, this crush allows the operator to handle cattle from as small as 50kg right up to the biggest bulls. Very much a premium quality build crush with heavy duty features and focus on safety throughout.

KEY FEATURES

- Chin scoop compatible
- Unique “always locked” squeeze mechanism
- Manually operated head yoke
- Full access to animal
- Good for all breeds including horned animals
- Sliding door at rear
- Anti-slip bars and chequer plate flooring

CODE
510-21

RRP
£7121.65

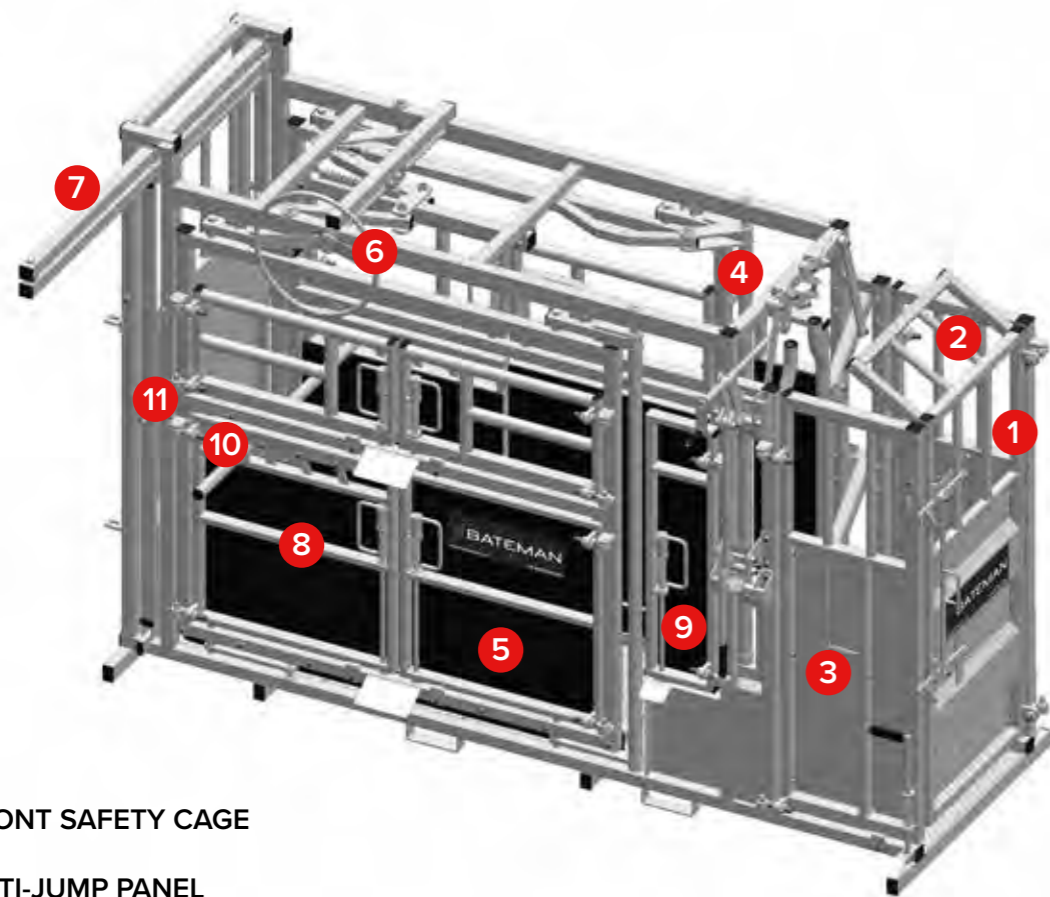
SPECIFICATION

CODE	510-21
RRP	£7121.65
OVERALL LENGTH	3000mm
INTERNAL WIDTH	750mm to 300mm
OVERALL WIDTH	1100mm
INTERNAL HEIGHT	1780mm
OVERALL HEIGHT	2015mm
YOKE APERTURE WIDTH	130mm to 260mm
WEIGHT	776kg

FEATURES

LOAD BARS	FOOT TRIM	FORKLIFT BRACKETS	CHIN SCOOP
●	✗	✓	●

- ✓ STANDARD
- OPTIONAL EXTRA
- ✗ NOT AVAILABLE



- 1. FRONT SAFETY CAGE
- 2. ANTI-JUMP PANEL
- 3. SCOOP ACCESS PANEL
- 4. YOKE WIDTH ADJUSTMENT
- 5. CLAD WITH 6MM POLYPROPYLENE



6. SQUEEZE IN SIDES
Easy to use wheel operated squeeze mechanism, locking in all positions



7. TWO WAY SLIDING GATE
Sheeted sliding gate can be operated from both sides of the crush



8. FULL ACCESS SIDE DOORS
Full access spring loaded side doors



9. TB ACCESS
Unique spring bolt doors allowing easy access to animal's neck area



10. SLIDE IN RUMP BAR
Non return style teeth to prevent backing up



11. REMOVABLE SIDE BAR

DEVON

The Devon crush is the first in the range to include an automatic head yoke. A great crush for those looking to work with less labour.

The yoke automatically locks as the animal moves forward. Release levers allow exit either forwards or backwards, together with spring-assisted reset.

KEY FEATURES

- Chin scoop compatible
- Foot trim compatible
- Automatic head yoke
- Full access to animal
- Anti-slip bars and chequer plate flooring

CODE

515-08

RRP

£3913.58

BATEMAN
www.bateman.co.uk
+44 (0)1528 381226

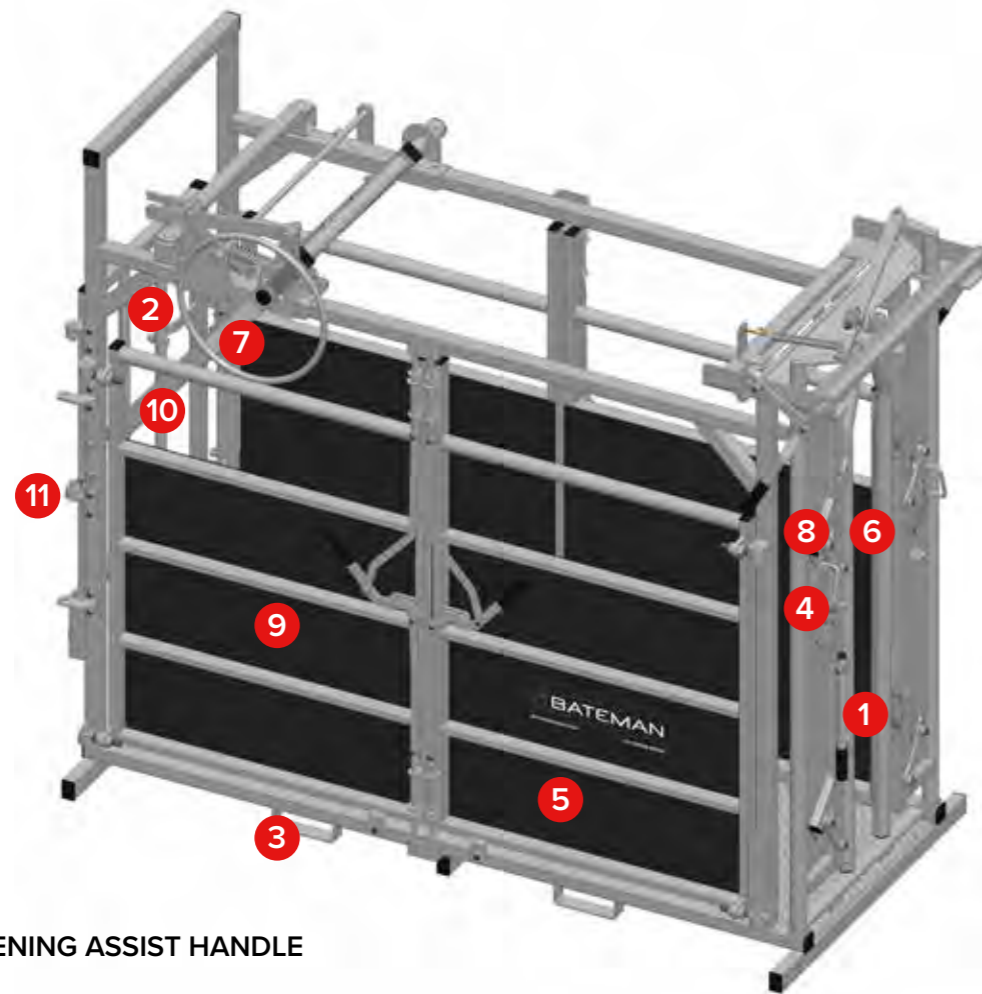
SPECIFICATION

CODE	515-08
RRP	£3913.58
OVERALL LENGTH	2300mm
INTERNAL WIDTH	750mm
OVERALL WIDTH	1050mm
INTERNAL HEIGHT	1770mm
OVERALL HEIGHT	2015mm
YOKE APERTURE WIDTH	120mm to 260mm
WEIGHT	470kg

FEATURES

LOAD BARS	FOOT TRIM	FORKLIFT BRACKETS	CHIN SCOOP
●	●	✓	●

- ✓ STANDARD
- OPTIONAL EXTRA
- ✗ NOT AVAILABLE



- 1. YOKE OPENING ASSIST HANDLE
- 2. ANY HAND REAR GATE
- 3. FORKLIFT BRACKETS
- 4. SAFETY ROPE AND CLEAT
- 5. CLAD WITH 6MM POLYPROPYLENE



6. HEAD YOKE
Easy reset feature on automatic yoke. Allows release backwards.



7. DROP DOWN RUMP BAR
Ratchet style rump bar



8. YOKE WIDTH ADJUSTMENT
Six easy to change settings



9. FULL ACCESS SIDE DOORS
Full access spring loaded side doors



10. REAR GATE
Can be assembled any hand



11. REMOVABLE SIDE BAR

DEVON SQUEEZE

The Devon squeeze crush is an adaptation of the Ambassador squeeze to feature an automatic yoke. Offering the same unique squeeze mechanism unrivalled by any other crush on the market, this crush allows the operator to handle cattle from as small as 50kg right up to the biggest bulls.

Featuring an automatic yoke this crush allows the operator to perform multiple tasks without the help of others. The smooth reset feature increases functionality and speed of use.

KEY FEATURES

- Chin scoop compatible
- Unique "always locked" squeeze mechanism
- Automatic operating head yoke
- Full access to animal
- Good for all sizes of animal
- Sliding door at rear
- Anti-slip bars and chequer plate flooring

CODE
515-21

RRP
£6194.72

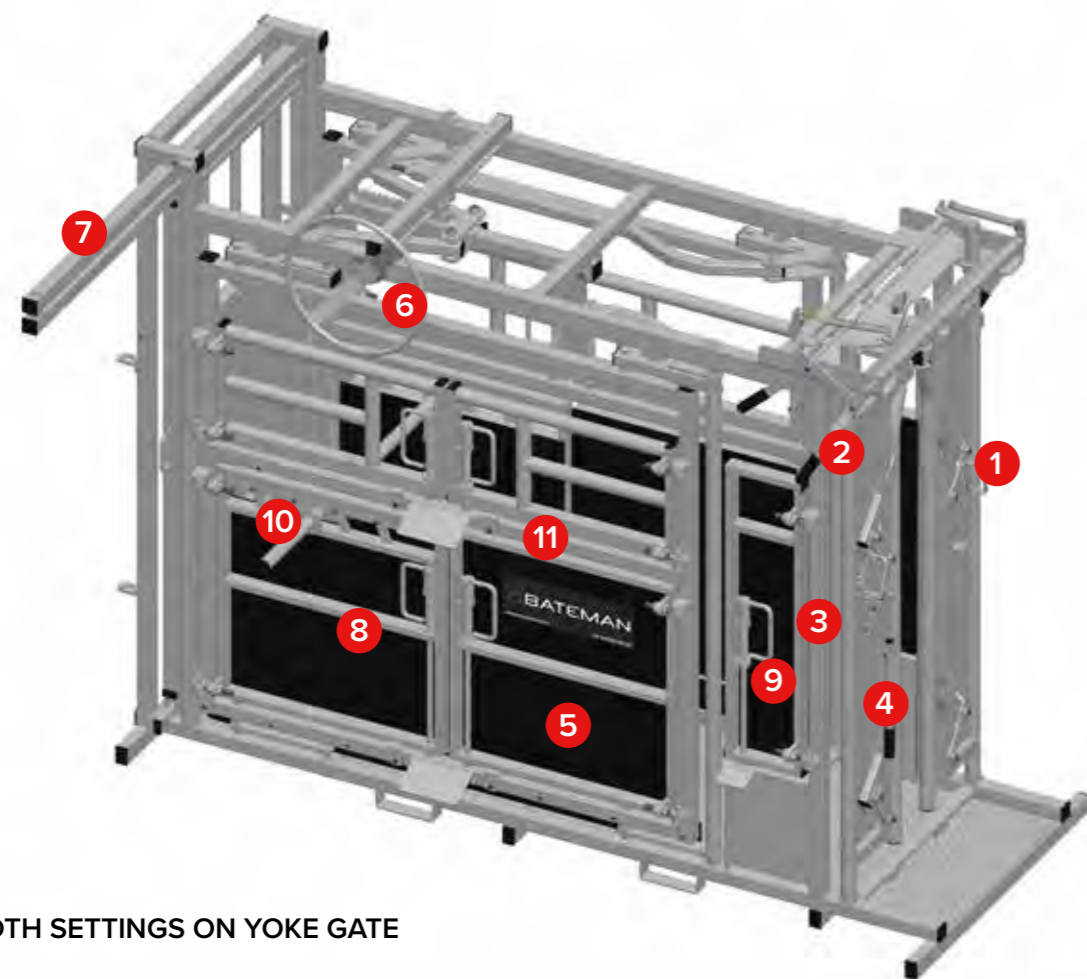
SPECIFICATION

CODE	515-21
RRP	£6194.72
OVERALL LENGTH	2400mm
INTERNAL WIDTH	750mm to 300mm
OVERALL WIDTH	1100mm
INTERNAL HEIGHT	1780mm
OVERALL HEIGHT	2135mm
YOKE APERTURE WIDTH	130mm to 260mm
WEIGHT	722kg

FEATURES

LOAD BARS	FOOT TRIM	FORKLIFT BRACKETS	CHIN SCOOP
●	✗	✓	●

- ✓ STANDARD
- OPTIONAL EXTRA
- ✗ NOT AVAILABLE



1. 6 WIDTH SETTINGS ON YOKE GATE
2. SPRING LOADED EASY RESET HANDLE
3. PRE-DRILLED CHIN SCOOP FIXING POINTS
4. EASY OPEN YOKE RELEASE HANDLE
5. CLAD WITH 6MM POLYPROPYLENE



6. SQUEEZE IN SIDES
Easy to use wheel operated squeeze mechanism, locking in all positions



7. TWO WAY SLIDING GATE
Sheeted sliding gate can be operated from both sides of the crush



8. SIDE DOORS
Full access spring loaded side doors



9. TB ACCESS
Unique spring bolt doors allowing easy access to animal's neck area



10. SLIDE IN RUMP BAR
Non return style teeth to prevent backing up



11. REMOVABLE SIDE BAR

HOOFMASTER

The Hoofmaster crush is our purpose-built foot trimming crush, offering the user a simple and safe way of trimming feet.

Solid construction combined with great functionality makes this a premium competitor to a lot of lighter constructed manual foot trimming crushes on the market. Portable and very strong, this crush makes for an ideal tool for use in various locations.

KEY FEATURES

- Chin scoop compatible
- Ambassador style scissor yoke
- Swing back gate panels
- Yoke allows for horned cattle
- Suitable for dairy cattle up to 1000kg
- Anti-slip bars and chequer plate flooring

CODE
518-02

RRP
£5483.27

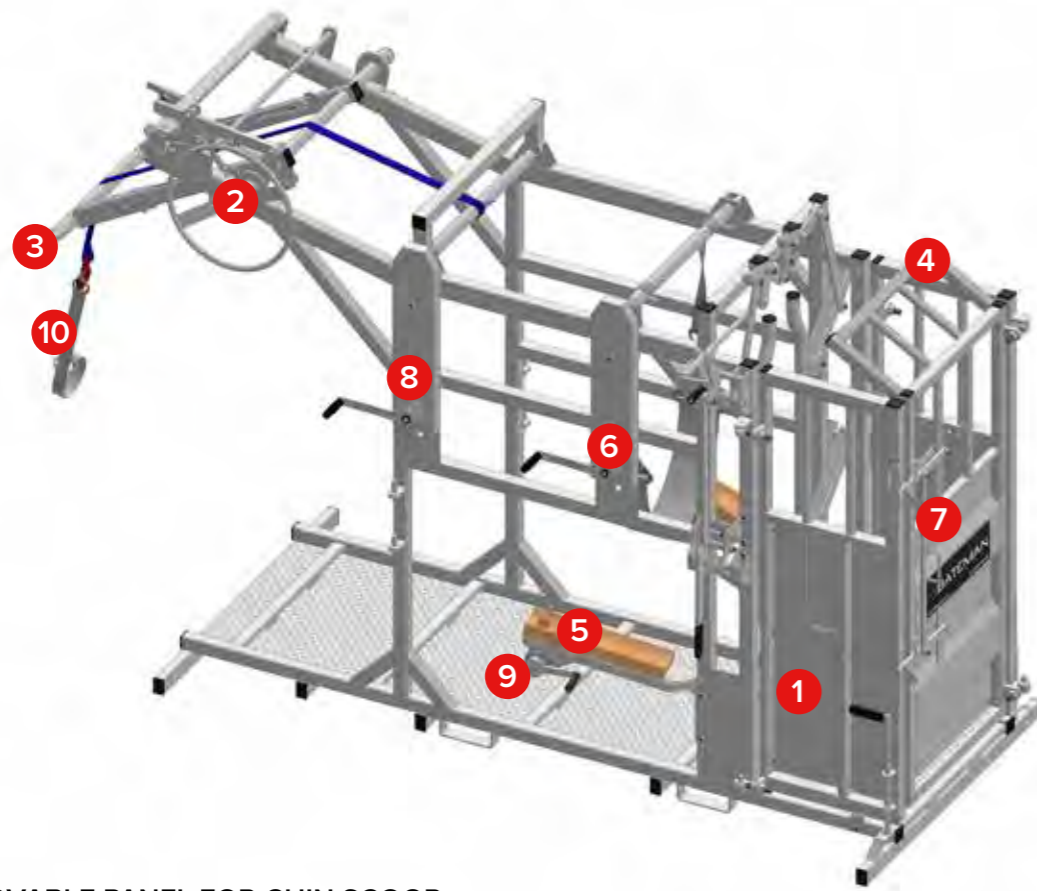
SPECIFICATION

CODE	518-02
RRP	£5483.27
OVERALL LENGTH	2540mm
INTERNAL WIDTH	750mm
OVERALL WIDTH	1050mm
INTERNAL HEIGHT	1645mm
OVERALL HEIGHT	2045mm
YOKE APERTURE WIDTH	120mm to 240mm
WEIGHT	526kg

FEATURES

LOAD BARS	FOOT TRIM	FORKLIFT BRACKETS	CHIN SCOOP
●	✓	✓	●

- ✓ STANDARD
- OPTIONAL EXTRA
- ✗ NOT AVAILABLE



1. REMOVABLE PANEL FOR CHIN SCOOP
2. REVOLVING RUMP BAR ON RATCHET
3. TELESCOPIC RUMP BAR EXTENSION
4. ANTI JUMP PANEL



5. WOODEN FOOT BLOCK
Grooved for comfortable fit



6. WINCH OPERATED BELLY STRAP
Supports from below the animal



7. FULLY OPENING FRONT SAFETY CAGE
Full access spring loaded front doors



8. BRAKED WINDING LEVER
Allows tension to be adjusted gradually in either direction



9. CRANKED BRAKED HUB UNITS
Helping to secure feet with rope fitting



10. WINCHED STRAP FOR REAR FEET

TAMAR SQUEEZE

The Tamar squeeze crush is an adaptation of what was already a hugely innovative design from Bateman, offering a unique semi-automatic yoke system to be used as either manual or automatic.

Combining the yoke system with the always locked squeeze in sides featured on other crushes in the range, makes this crush a true market leader.

KEY FEATURES

- Manual pump hydraulic chin scoop included
- Unique "always locked" squeeze mechanism
- Manually operated or automatic head yoke
- Full access to animal
- Good for all breeds
- Sliding door at rear
- Anti-slip bars and chequer plate flooring
- Unique rack and pinion mechanism with wheel operation and braked hub unit

CODE

525-20

RRP

£7991.68



[VIEW PRODUCT VIDEO](#)

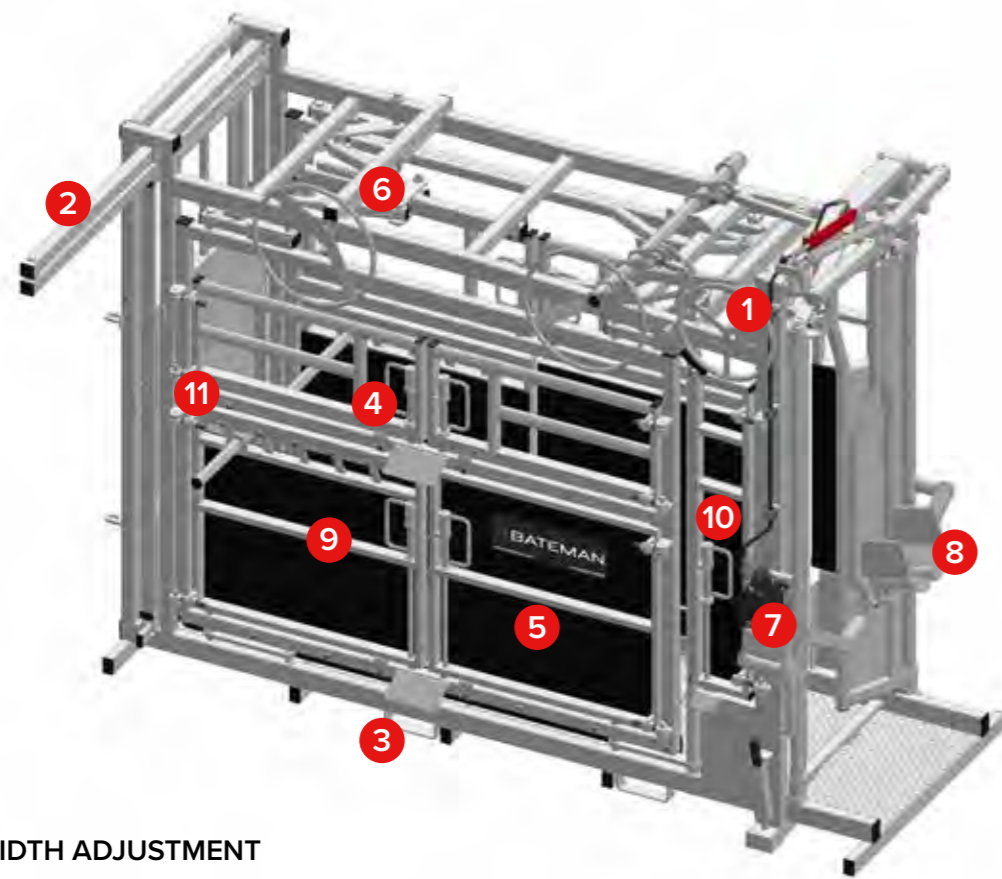
SPECIFICATION

CODE	525-20
RRP	£7991.68
OVERALL LENGTH	2910mm
INTERNAL WIDTH	750mm to 300mm
OVERALL WIDTH (CRUSH)	1110mm
WIDTH OF SLIDING DOOR TRACK	1800mm
INTERNAL HEIGHT	1750mm
OVERALL HEIGHT	2235mm
YOKE APERTURE WIDTH	100mm to 250mm
WEIGHT	845kg

FEATURES

LOAD BARS	FOOT TRIM	FORKLIFT BRACKETS	CHIN SCOOP
●	✗	✓	✓

- ✓ STANDARD
- OPTIONAL EXTRA
- ✗ NOT AVAILABLE



- 1. YOKE WIDTH ADJUSTMENT
- 2. SHEETED SLIDING DOOR INCLUDED
- 3. FORK LIFT BRACKETS
- 4. TWIST AND LIFT HANDLES
- 5. CLAD WITH 6MM POLYPROPYLENE



6. SQUEEZE IN SIDES
Easy to use wheel operated squeeze mechanism, locking in all positions



7. PUMP FOR CHIN LIFT
Easy to use removable pump handle for chin scoop



8. CHIN LIFT
Raises from either side of the animal's chin



9. FULL ACCESS SIDE DOORS
Spring loaded easy open side doors for full access to animal



10. TB ACCESS DOORS
Gives operator easy and full access to animal's neck



11. REMOVABLE SIDE BAR

LONGHORN

This crush of unique design is capable of handling cattle of varying sizes from approximately 300kg to 1500kg.

The yoke mechanism is manually closed in from the sides of the crush to restrain the animal's neck. The width of the yoke aperture can be adjusted by rotating a cranked handle. This useful operation can be made whilst the animal is in the yoke or with the yoke in the open position. The design of the yoke enables easy yoking of horned cattle.

KEY FEATURES

- Tapered side access doors and side panels restrict the movement of smaller animals
- Opening side doors at the front and rear of the crush allow for easy access around the animal
- Forklift brackets are provided under the crush and provision is made to fit a Chin Scoop

CODE

520-05

RRP

£8287.33



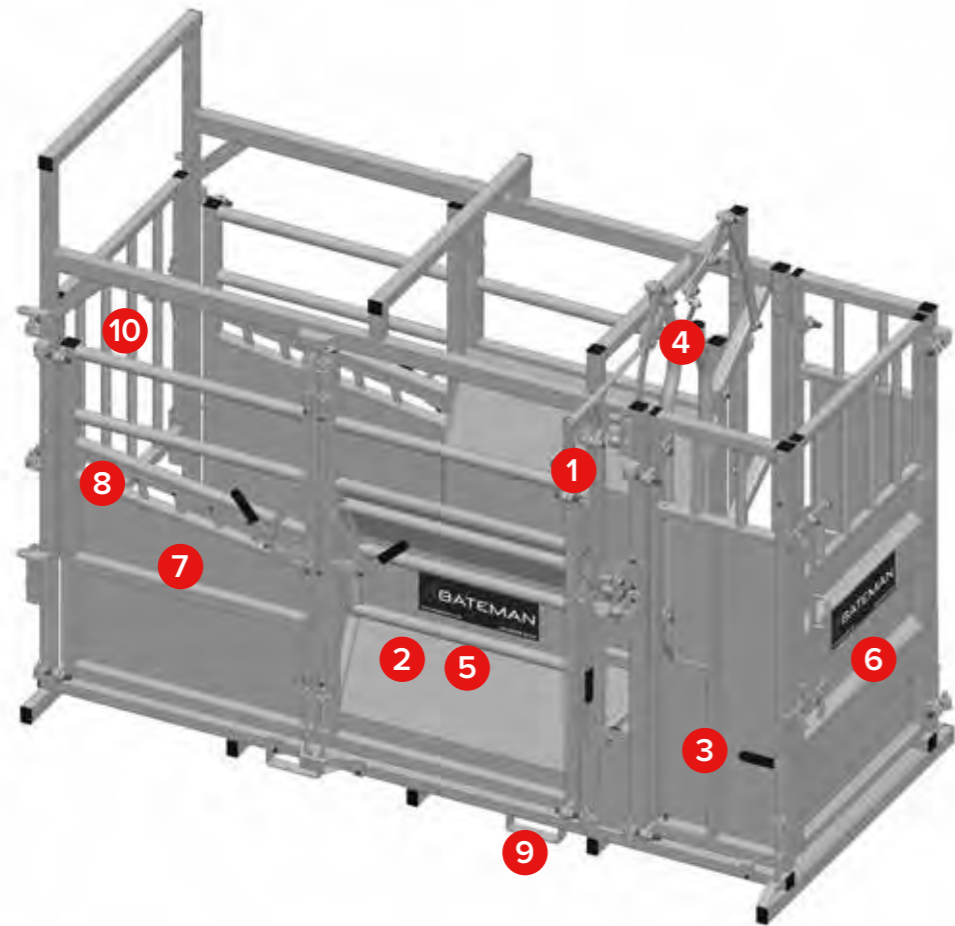
SPECIFICATION

CODE	520-05
RRP	£8287.33
OVERALL LENGTH	2800mm
INTERNAL WIDTH	950mm to 630mm
OVERALL WIDTH	1060mm
INTERNAL HEIGHT	1650mm
OVERALL HEIGHT	2070mm
YOKE APERTURE WIDTH	260mm to 130mm
WEIGHT	480kg

FEATURES

LOAD BARS	FOOT TRIM	FORKLIFT BRACKETS	CHIN SCOOP
●	●	✓	●

- ✓ STANDARD
- OPTIONAL EXTRA
- ✗ NOT AVAILABLE



- 1. YOKE WITH ADJUSTMENT
- 2. TAPERED ACCESS DOORS
- 3. CHIN SCOOP ACCESS PANEL
- 4. SCISSOR YOKE



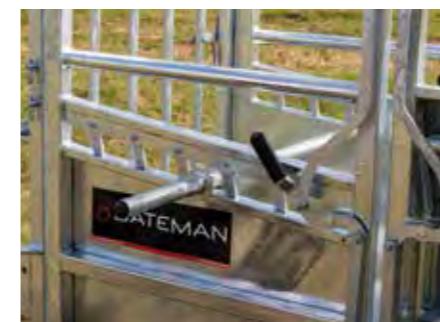
5. TAPERED SIDES
Allows additional width for horned cattle



6. FRONT ACCESS CAGE



7. FULL ACCESS SIDE DOORS



8. SLIDE IN RUMP BAR



9. FORK LIFT BRACKETS



10. REAR ACCESS GATE

CATTLE HANDLING TRAILER

The Cattle Handling Trailer is designed with all the features from the Tamar crush.

The Cattle Handling Trailer comes complete with ten of our cattle hurdles to make a corral pen. The Cattle Handling Trailer crush also has a built in fold away lighting board to operate brake, indicator and hazard lights. The holding section is perfect for weighing (optional extra) between the two sliding gates.

KEY FEATURES

- Hydraulic chin scoop included
- Unique "always locked" squeeze mechanism
- Manually operated or automatic head yoke
- Full access to animal
- Good for all breeds
- Two sliding doors and access kiosk included
- Housing for weigh equipment
- Anti-slip bars and chequer plate flooring

CODE

528-02

RRP

£23579.33



[▶ VIEW PRODUCT VIDEO](#)

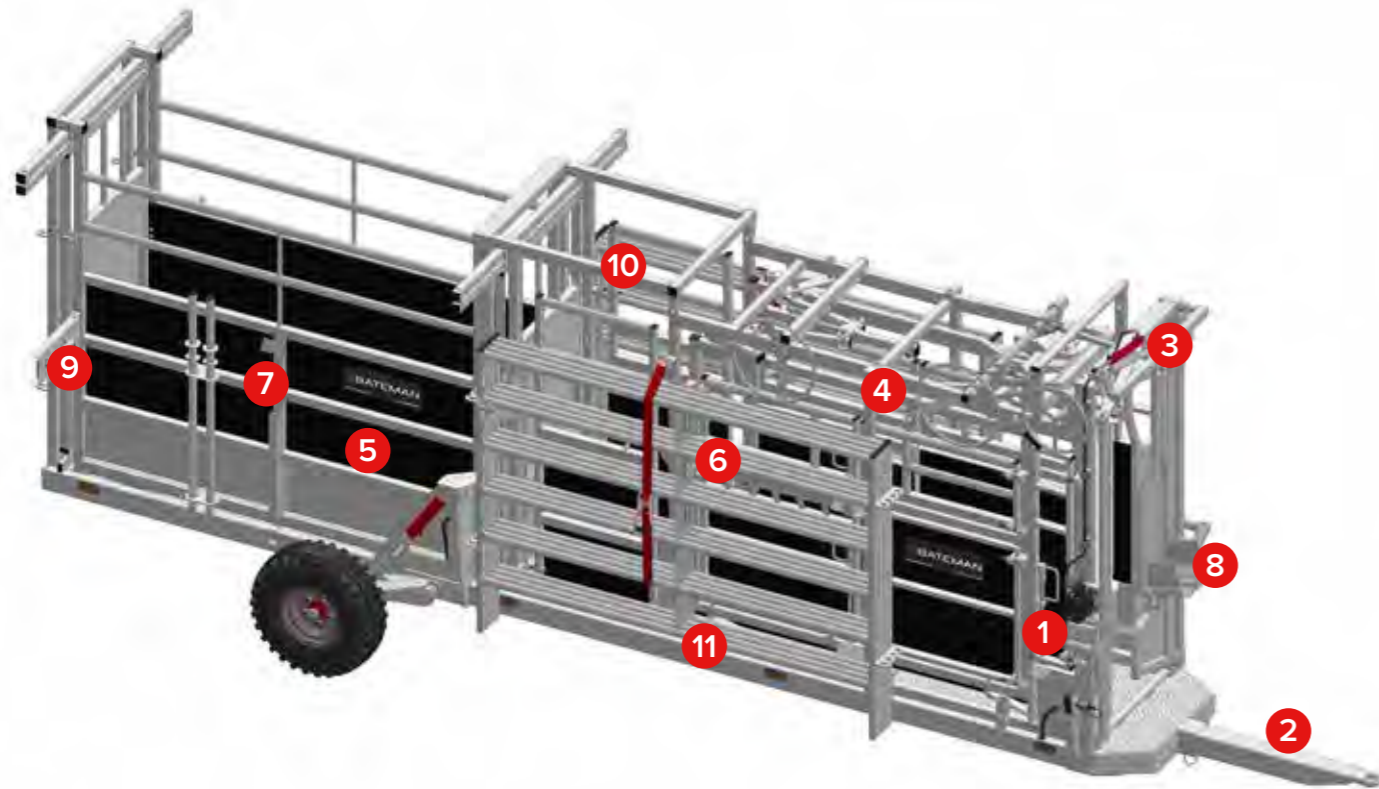
SPECIFICATION

CODE	528-02
RRP	£23579.33
OVERALL LENGTH	7340mm
INTERNAL WIDTH	750mm to 300mm
OVERALL WIDTH	2050mm
HEIGHT WHEN RAISED	2530mm
YOKE APERTURE WIDTH	250mm to 100mm
CHASSIS WIDTH	970mm
WEIGHT INCLUDES 10 HURDLES	1920kg

FEATURES

LOAD BARS	FOOT TRIM	FORKLIFT BRACKETS	CHIN SCOOP
●	●	✗	✓

- ✓ STANDARD
- OPTIONAL EXTRA
- ✗ NOT AVAILABLE



1. TB ACCESS DOORS
2. RETRACTABLE TOW BAR
3. YOKE WIDTH ADJUSTMENT
4. TWIST AND LIFT HANDLES WITH SPRING LOADED ROTATING DROP BOLTS
5. CLAD WITH 6MM POLYPROPYLENE



6. SQUEEZE IN SIDES
To suit all ages of cattle



7. REAR HOLDING SECTION
Weigh equipment can be added to this section (optional)



8. HYDRAULIC CHIN LIFT
Raises from either side of the animal's chin



9. FOLD AWAY BRAKE LIGHTS
Included as standard so can be used on the road straight away



10. BUILT IN ACCESS KIOSK
Personnel access kiosk behind crush



11. CATTLE HURDLE TRAVEL HOOKS AND STRAPPING
For safe transportation of the hurdles

HYDRAULIC

The Bateman Hydraulic Crush is the pinnacle of the Bateman cattle crush range, providing hydraulic functions to allow the operator to have complete control in safely handling any size of animal.

The crush is an extremely strong build which combined with its unique design features and quietness makes it one of the very best crushes available.

KEY FEATURES

- Comes complete with hydraulic chin lift
- 240v hydraulic power pack included (new reduced noise levels)
- Touch sensitive hydraulics
- Yoke allows for horned cattle
- Suitable for all cattle ages and sizes
- Anti-slip bars and rubber mat flooring
- Hydraulic squeeze, yoke and chin lift operation

CODE

527-02

RRP

£21728.11

[VIEW PRODUCT VIDEO](#)

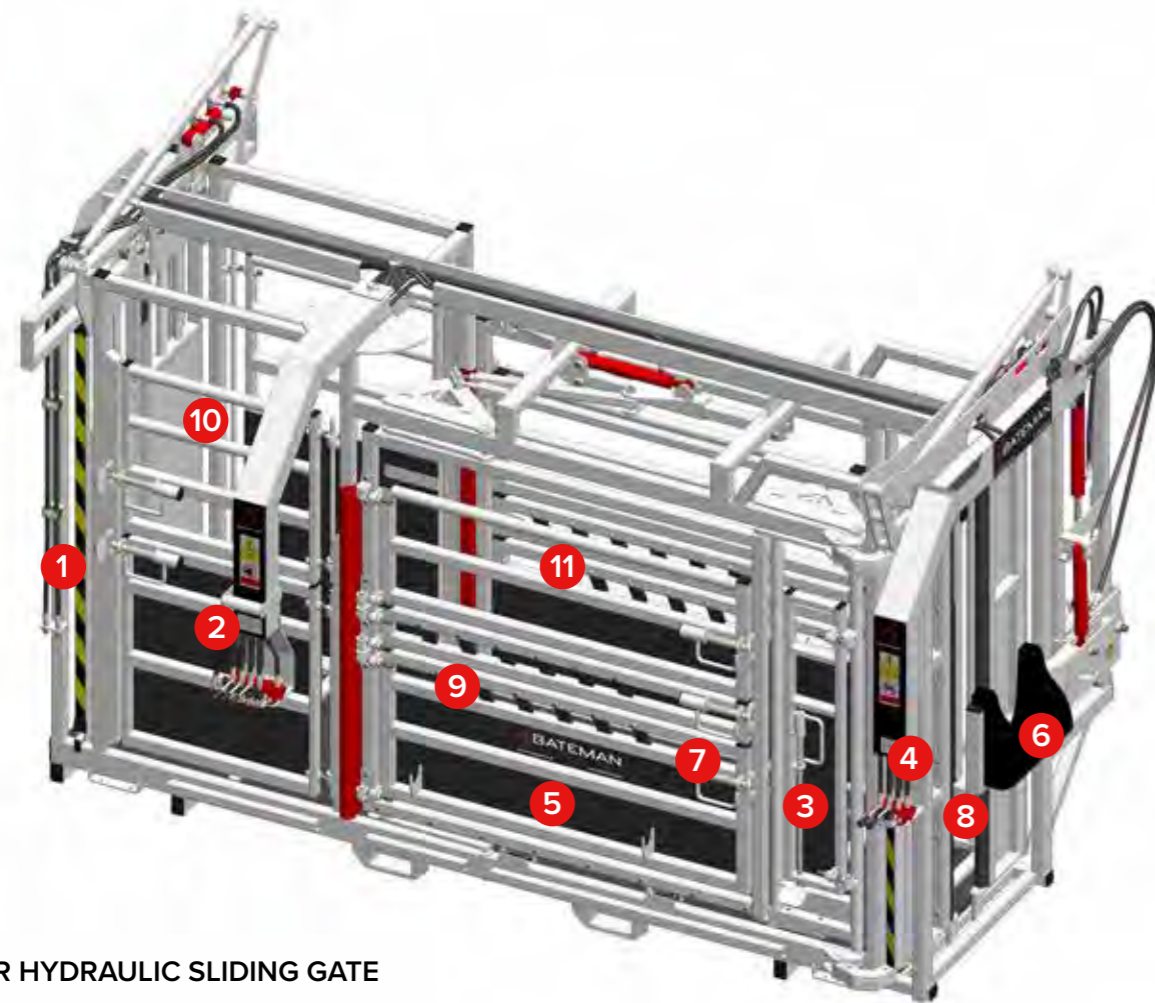
SPECIFICATION

CODE	527-02
RRP	£21728.11
OVERALL LENGTH	3600mm
INTERNAL WIDTH	850mm reducing to 280mm
INTERNAL HEIGHT	1820mm
OVERALL HEIGHT	2520mm
EXTERNAL WIDTH	1950mm
YOKE APERTURE WIDTH	850mm to 120mm
WEIGHT	1510kg

FEATURES

LOAD BARS	FOOT TRIM	FORKLIFT BRACKETS	CHIN SCOOP
✓	✗	✓	✓

- ✓ STANDARD
- OPTIONAL EXTRA
- ✗ NOT AVAILABLE



1. REAR HYDRAULIC SLIDING GATE
2. PIVOT CONTROL PANEL
3. TB ACCESS DOORS
4. CHIN SCOOP CONTROL PANEL
5. CLAD WITH 6MM POLYPROPYLENE



6. HYDRAULIC HEAD RESTRAINT
Dedicated twin lever operated control valve for pivot and lift functions



7. NEW NYLON ROTARY BOLT
For noise reduction



8. RUBBER FLOOR MATTING AND BRISKET RAIL
For noise reduction with Brisket Rail to prevent animal 'going down'



9. NYLON RATCHET BACKING BAR SYSTEM
Two heights for different sized cattle



10. ACCESS KIOSK
Split gates can close behind the animal to provide safe access



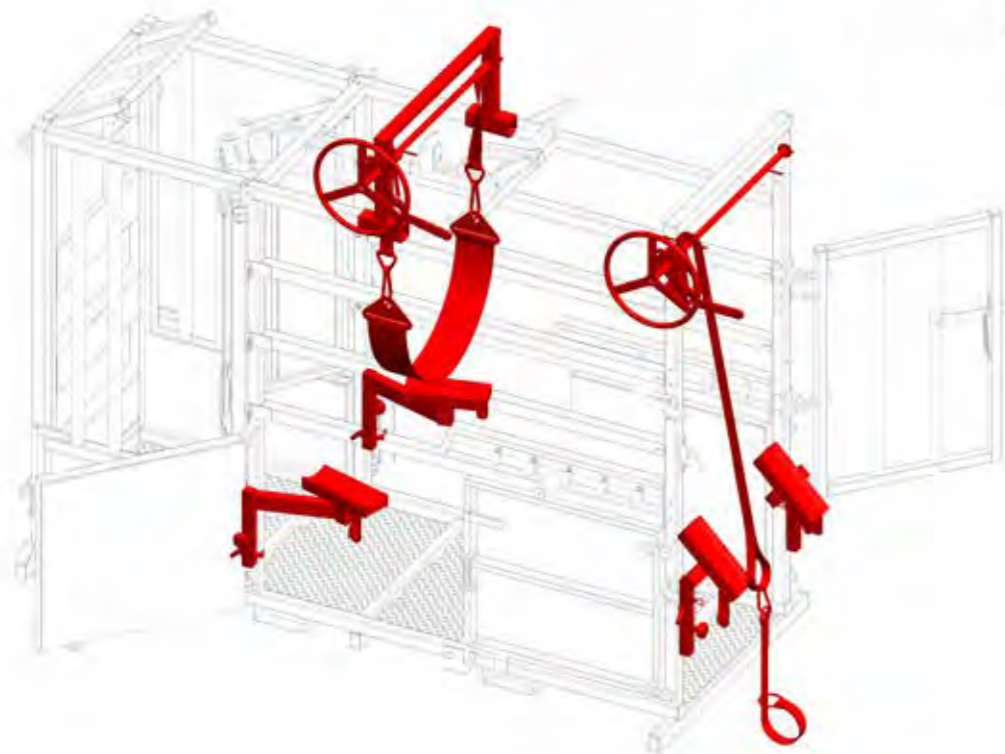
11. FULL SIDE ACCESS
Complete access to the animal including TB doors

FOOT TRIM PACKAGE

Our foot trim package is an optional extra for three of our standard range crushes including the Hybrid, Ambassador standard and Devon standard.

This is a quick and easy way to add a foot trim facility to an existing crush.

Spare and additional parts for the package are also sold separately as listed below.

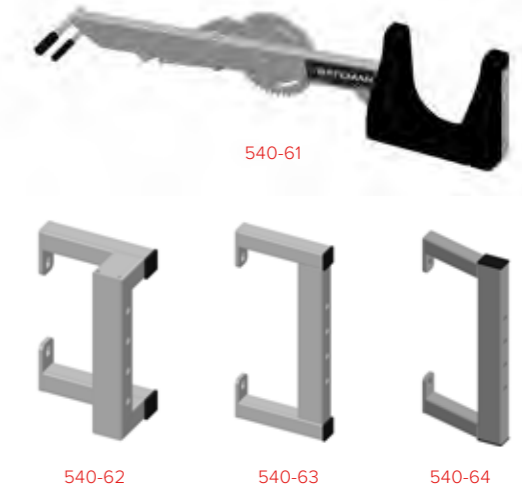


CODE	ITEM	RRP	CODE	ITEM	RRP
540-53	Trailer Foot Trim Package	£830.44	540-06	Belly strap	£133.96
540-50	Foot trim package	£1025.94	540-07	Lifting sling for belly strap	£73.56
540-01	Detachable front winch and fittings	£775.49	540-08	1680 webbing strap with loop at one end	£26.28
540-02	Detachable rear winch and fittings	£690.88	540-09	Rear leg sling	£57.79
540-03	Front foot blocks	£407.15			
540-05	Rear foot blocks	£357.23			

CHIN SCOOP

The chin scoop is the ideal tool for keeping an animal's head up for such tasks as bolus delivery. The Bateman scoop can be set up to be operated from either side of the crush and is a simple bolt on construction. It works on a ratchet locking system meaning the scoop cannot be pushed down unless released by the operator.

CODE	DESCRIPTION	RRP
540-60	Right hand chin scoop (when facing cow's head)	£831.03
540-61	Left hand chin scoop (when facing cow's head)	£831.03
540-62	Devon mounting bracket for chin scoop	£74.35
540-63	Ambassador mounting bracket for chin scoop	£74.35
540-64	Ambassador Crush mounting bracket for chin scoop (off set) (For new models)	£74.35



EASY SQUEEZE HANDLE TO UNLOCK AND MOVE



PLASTIC MOULDING FOR COW COMFORT



ANY HAND LOCKING RATCHET OPERATION



SWINGS OUT OF THE WAY TO ALLOW EASY RELEASE

EZI WEIGH S3

An easy to use Weigh Scale Indicator that's rugged, waterproof and fully portable. The high contrast display is clearly visible on the brightest day and the LED backlit screen ensures visibility in failing light or dark sheds. The S3 features Bluetooth connectivity, so customers can record weights and visual IDs using the MiHub Data Link mobile app and instantly view their weighing data online, with MiHub Livestock Management.

- **SIMPLE USER INTERFACE**
Only two clearly visible buttons, on/off and zero. Other settings are easily accessible on the Data Link mobile app or Data Link PC software.
- **SUPERDAMP™ III TECHNOLOGY**
Capture accurate live weights more quickly than any other weigh scale indicator on the market.
- **BLUETOOTH® LOW ENERGY TECHNOLOGY**
Record weights and configure settings using the Data Link mobile app or Data Link PC program.
- **LONG LIFE AND FAST CHARGING INTERNAL BATTERY**
Up to 20 hours of run time and only 6 hours to recharge.
- **RUGGED IP67 ENCLOSURE**
To withstand the toughest environments.

CODE RRP
531-03 £552.47

EZI WEIGH 7i

With the capability to record information against Electronic ID (EID) or Visual tags, you can easily capture and analyse individual animal performance and history. Replacing guesswork with facts, the EziWeigh7i displays live weight gain since the previous session, showing animal performance right there in the yard. Using its built-in Bluetooth® technology, the EziWeigh7i wirelessly connects to Tru-Test's EID readers, automatically transferring scanned ID's straight into the weigh scale, saving time and improving accuracy. Alternatively, the animal's VID can be entered using the large and durable keypad.

The EziWeigh7i features Tru-Test's proven Superdamp™ III technology, enabling you to capture accurate live animal weights more quickly than any other weigh scale on the market, even for the liveliest animals.

- **ID CAPABLE**
Records information against Electronic (EID) and Visual tags. VID numbers can be automatically cross-referenced with their EID match, saving you time and reducing data entry.
- **WIRELESS OR TETHERED EID READER CONNECTIVITY**
Choose between wireless Class 1 Bluetooth communication with EID readers up to 100m away, or connect via cable.
- **LIVE WEIGHT GAIN**
Calculates and displays an animal's daily weight gain since the previous session.
- **CAPTURE TRAITS OR TREATMENTS**
Record notes for each individual animal.
- **MEMORY AND STORAGE CAPACITY**
Stores up to 100 weighing sessions and 20,000 records.
- **INFORMATION TRANSFER**
Quickly transfer information through mobile devices (Android* or Apple iOS) or computer (Microsoft Windows*)
- **STATISTICS**
Summary statistics from the current and previous weigh sessions can be recalled right there in the yard.
- **DRAFTING CAPABILITY**
Speeds up weight drafting by displaying direction for up to 3 weight ranges.
- **LONG LIFE AND FAST CHARGING BATTERY**
Over 15 hours of run time and only 3 hours to recharge. Charge with supplied mains power adaptor or USB.

CODE RRP
531-07 £1238.60



MP 600 LOAD BARS

Versatile. For all animal types.

A multi-purpose load bar that can be used under cattle platforms, sheep crates and wool presses.

Tru-Test load bars are recognised for their rugged durability and performance in harsh environments.

TOTAL CAPACITY - 2000 kg (4400 lbs)

- **VERSATILE**
Can be temporarily installed and when used with the lightweight Tru-Test aluminium platform can be easily transported between different weighing sites.
- **COMPATIBLE**
Can be used with any weigh scale in the Tru-Test range without calibration.
- **CORROSION RESISTANT**
Galvanised steel housing protects the bar in the tough agricultural environment.

- **SEALED LOAD CELL**
Protects the load cell against moisture damage allowing the load bars to remain outside.
- **EASY TO SET UP**
Simply requires a firm level surface and a rigid crate or platform.

CODE RRP
531-22 £1202.94



HD5T LOAD BARS

Tru-Test load bars are recognised for their rugged durability and performance in harsh environments. The HD5T load bars are designed to be tough, reliable and easy to install under any crush. The simplicity of set up means you can easily install with no assistance needed.

With a capacity suitable for the heaviest of cattle crushes, you will have outstanding performance with the best weighing set up for your animals.

- **EXTREMELY EASY TO INSTALL**
Simply bolt it to the crush and then bolt to the level concrete surface.
- **MORE CAPACITY**
The 5,000 kg capacity heavy duty load bar is suitable to mount under the heaviest of crushes.
- **SEALED LOAD CELL**
Protects the load cell against moisture damage allowing the load bars to remain outside under the crush.

- **CORROSION RESISTANT**
Galvanised steel construction means the HD5T load bars can endure the harshest agricultural environment.
- **ROBUST**
Heavy duty TPR/PVC cables are a standard feature, which minimise the likelihood of cable damage.

CODE RRP
531-24 £1737.59



XRP2 PANEL READER

The XRP2 is built around Tru-Test's state of the art digital signal processing that gives optimum read range while automatically reducing unwanted interference.

Its revolutionary fast auto tuning provides maximum performance under all conditions. The fixed panel reader environment isn't static. Small changes in the metalwork or the simple action of opening a metal gate on a crush or crate can affect the reader's range and read speed performance. Tru-Test's EID panel readers maintain optimal performance through these changing conditions by retuning up to 18 times per second, ensuring consistent, accurate tag reads throughout your weigh session.

The XRP2 gives you the flexibility to record ID tags into a session file or send IDs directly to your weigh scale indicator to record individual animal weights and other information. It also comes with built-in Bluetooth® wireless technology to easily connect to your weigh scale indicator or smartphone.



- **READS ALL ISO HDX AND FDX-B TAGS**
- **PLUG AND PLAY SETUP**
Unique auto tuning function monitors and adjusts to the environment to ensure consistent tag reads
- **WIRELESS OR WIRED EID TRANSFER**
Bluetooth® Class 1 wireless technology to transfer scanned EIDs to weigh scale indicator or other devices up to 100m away. Automatic pairing/connection to Tru-Test weigh scale indicator, or use the supplied serial communication cable.
- **RECORD**
Record scanned tags into session files that can be downloaded. Store up to 20,000 tags in memory.
- **PC SOFTWARE**
Comes with Data Link PC software for Windows*, for downloading recorded information and configuring the reader.
- **DATA LINK APP FOR ANDROID® SMARTPHONES**
Email session files back to the office.
- **DIAGNOSTICS**
Easier installation with tuning and interference feedback.
- **SUPERIOR READ PERFORMANCE**
FDX: Up to 1,000 reads per minute
HDX: Up to 850 reads per minute
- **READ DISTANCE**
Single large antenna – Up to 1m
Single small antenna – Up to 700mm
Option to almost double read distance with dual antenna adaptor
- **CLEAR FEEDBACK**
Scanned tags and setup options displayed on a daylight viewable screen. Bright lights and buzzer provide clear feedback on status.
- **EXTERNAL POWER**
Either connect to a 12-24 V battery or use the supplied mains power adaptor.
- **DURABLE CASE/CONNECTORS**
IP67 waterproof case with double walled construction and rubber corner buffers for extra durability.

CODE RRP
531-35 £2334.61

CATTLE HANDLING

52 / SUPORHANDLER

56 / STANDARD SYSTEMS

59 / STARTER PACKS

60 / RACE EQUIPMENT

65 / HURDLES AND FRAMES

67 / BULL PENNING

68 / CATTLE GRIDS



SUPORHANDLER

The Suporhandler offers the user a quick and convenient way to set up a permanent or portable 180 degree cattle forcing circle.

Stokbord clad panels and an easy fit set up make the Suporhandler a fast and reliable solution for most cattle handling scenarios. The Suporhandler matches perfectly with our other portable handling equipment so it's easy to add on further holding and race sections.

KEY FEATURES

- Transport crate included
- Non return ratchet fins
- Hard wearing Stokbord finish
- Any hand set up to suit your requirements
- Good for all breeds as height discourages jumping
- Race arch included

CODE

550-01-01

RRP

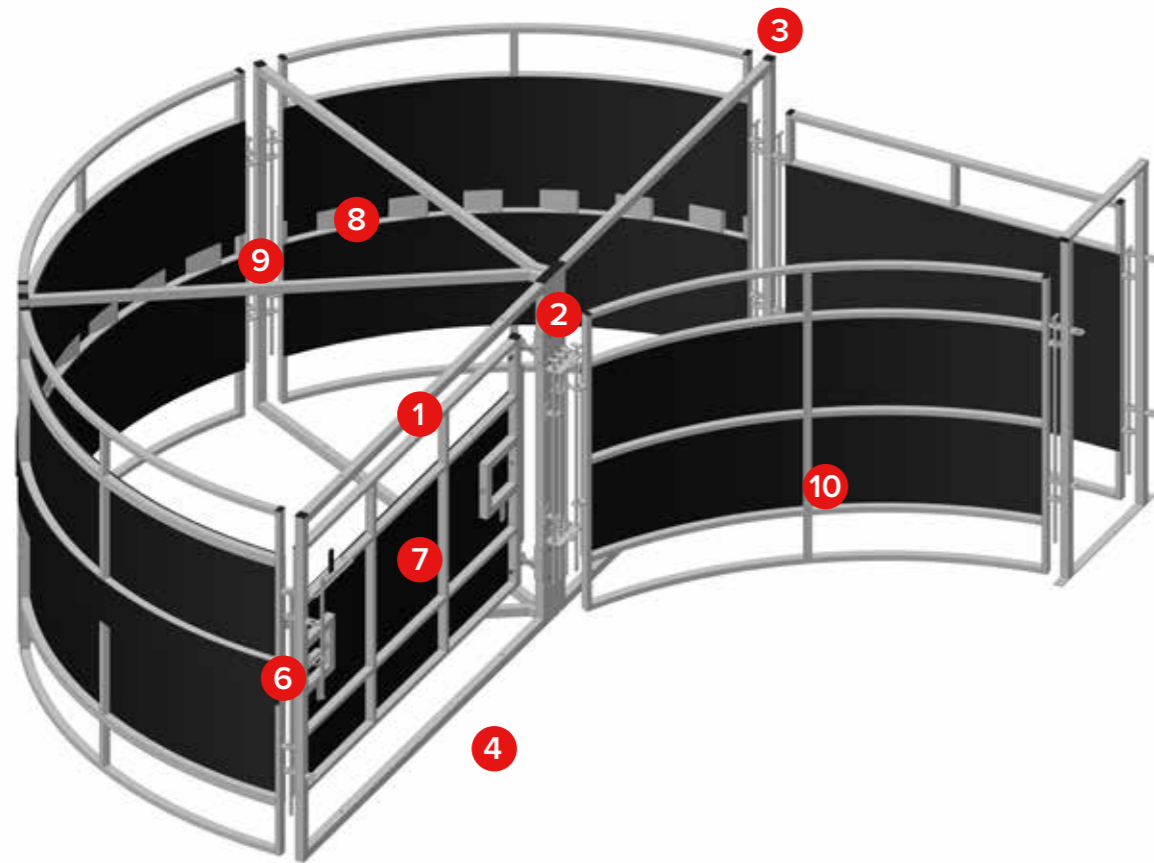
£6392.00



[VIEW PRODUCT VIDEO](#)

SPECIFICATION

CODE	550-01-01
RRP	£6392.00
OVERALL LENGTH	4715mm
OVERALL HEIGHT	2000mm
OVERALL WIDTH	5050mm
FORCING PEN GATE LENGTH	2350mm
WEIGHT INC. HURDLES & CRATE	820kg



1. VIEWING GAP IN FORCING GATE
2. HEAVY DUTY LINK PLATES
3. HEAVY DUTY JOINING ARCHES
4. ABILITY TO ADD ADDITIONAL PENNING

**5. TRANSPORT CRATE**

Forklift brackets and 3 point linkage included

**6. SPRING LOADED BOLT TO OPERATE FORCING GATE**

Quick release bolt for speedy use

**7. HEAVY DUTY FORCING GATE**

Stokbord clad and extra heavy duty for strength

**8. NON RETURN FINS**

Gate can be pushed with no risk of return towards user

**9. SLIDE OVER PLATES**

Seamless transition between race sections

**10. CURVED EXIT PANEL**

Aiding with flow of cattle through the forcing pen

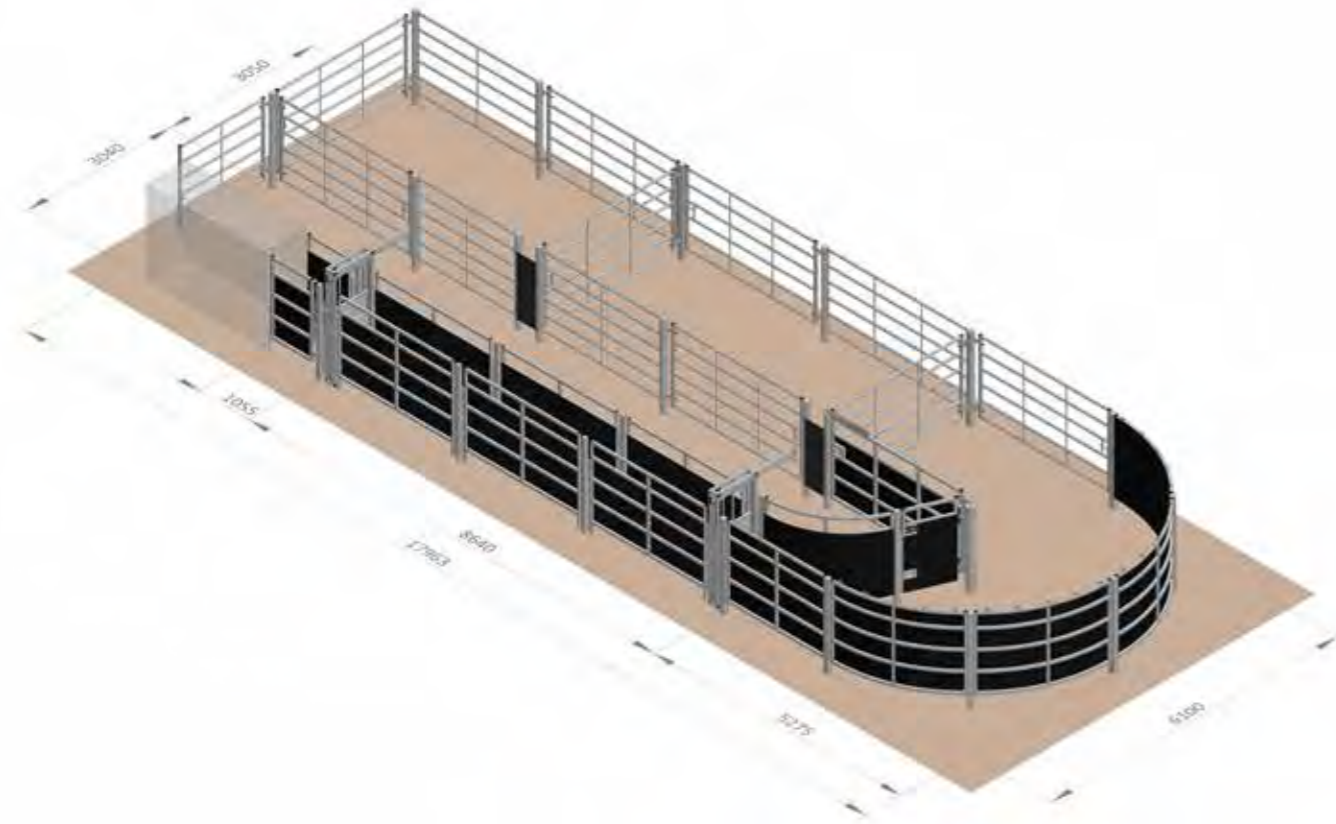
STANDARD SYSTEM NO. 1

The Bateman standard system No. 1 for cattle offers a practical and heavy-duty solution for any space it will fit into. All sections are fabricated from our heavy-duty gates, forcing sections and race sections. All cladding used throughout is Stokbord, giving a neater and quieter finish.

- Featuring two holding pens before the animals enter the clad forcing section
- The half circle forcing pen features non return fins on the top of the curved panels for extra safety for the user
- Sheeted sliding gates are used for flow control within the race section and the end of the race is perfectly equipped to fit one of our crushes

SPECIFICATION

RRP	£18481.54
OVERALL LENGTH	17963mm
OVERALL WIDTH	6100mm
GATE/PANEL HEIGHT	1525mm
HEIGHT TO TOP OF PENNING	1750mm



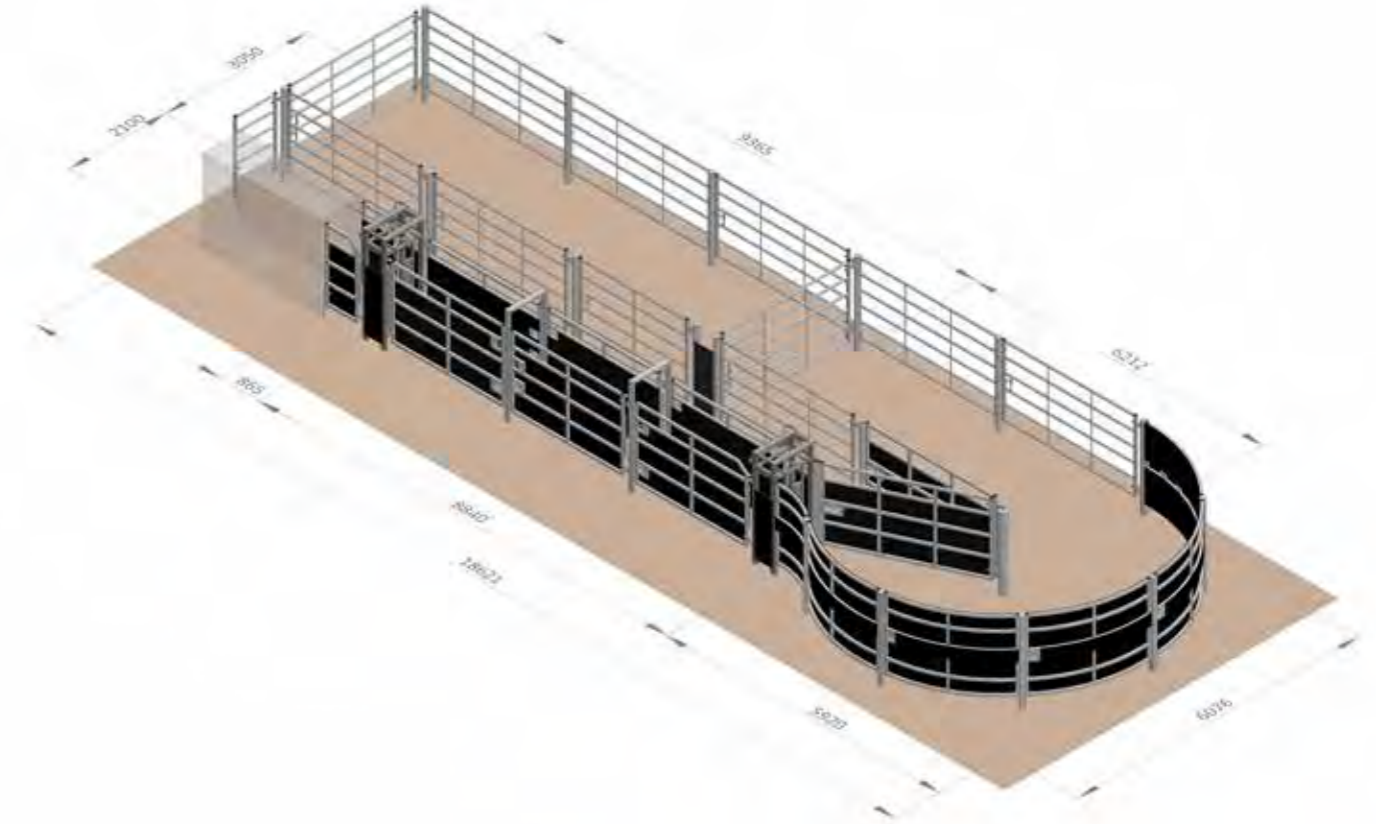
STANDARD SYSTEM NO. 2

The Bateman standard system No. 2 for cattle offers a practical and heavy-duty solution for any space it will fit into. All sections are fabricated from our heavy-duty gates, forcing sections and race sections. All cladding used throughout is Stokbord giving a neater and quieter finish.

- Featuring two holding pens before the animals enter the clad forcing section
- The half circle forcing pen features inset non return fins in the centre of the curved panels for extra safety for the user
- Our non return gates are used for flow control within the race section
- The forcing pen also features a curved exit section. The end of the race is perfectly equipped to fit one of our crushes

SPECIFICATION

RRP	£21876.38
OVERALL LENGTH	18621mm
OVERALL WIDTH	6076mm
GATE/PANEL HEIGHT	1525mm
HEIGHT TO TOP OF PENNING	1750mm



STANDARD SYSTEM NO. 3

The Bateman standard system No.3 is a fixed cattle handling system, comprises of collecting pens, forcing pen, cattle race and personnel area.

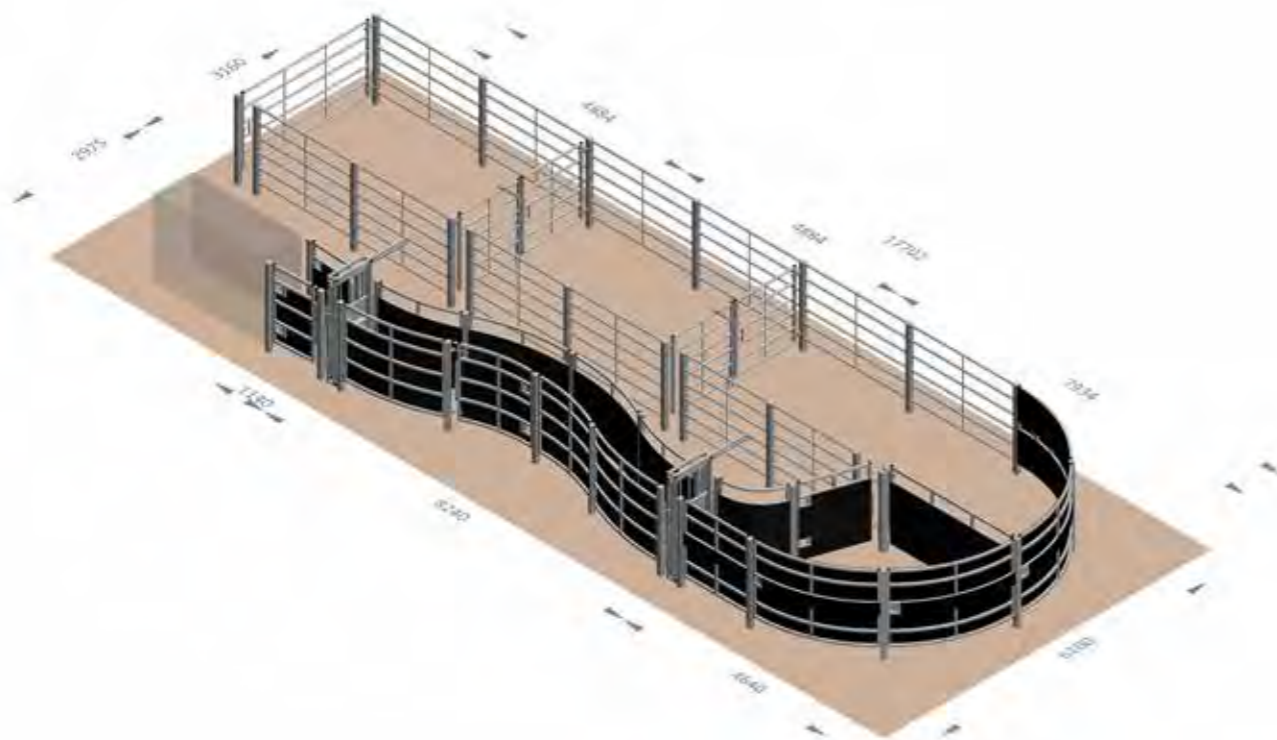
- Featuring three holding pens with 6 rail heavy duty railed gates.
- Semi-circular forcing pen, fully clad with stobord and having inset ratchet style fins enabling the operator to remain safely behind the forcing gate
- 3 metre part-clad forcing with open top viewing section, spring loaded sliding bolt and rotating on 168mm diameter
- Part-clad curved race and entrance panels for improved cattle flow
- Two sheeted sliding gates at race entrance and exit
- Two gates allow for personnel access behind an animal held in a crush (Available separately)
- Squeeze gaps are also provided for operator safety and access between pens

SPECIFICATION

RRP	£23114.37
OVERALL LENGTH	17702mm
OVERALL WIDTH	6100mm
GATE/PANEL HEIGHT	1525mm
HEIGHT TO TOP OF PENNING	1750mm
RACE WIDTH CENTRES	800mm
FORCING PEN RADIUS	3050mm



 VIEW PRODUCT VIDEO



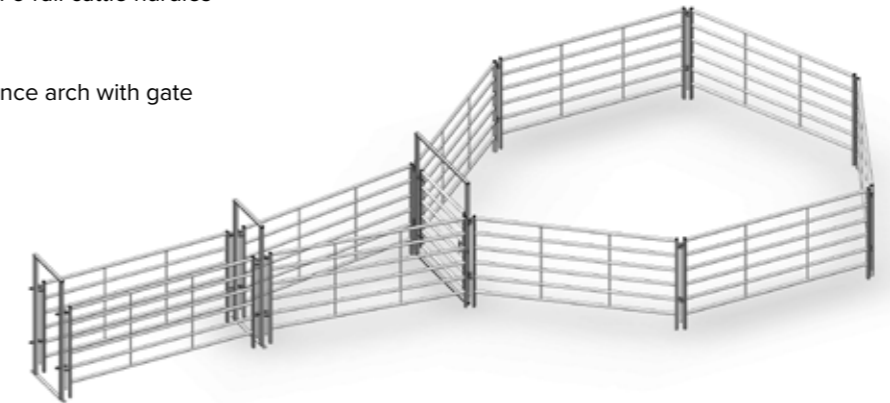
BASIC CATTLE STARTER PACK 1

Designed to form a simple portable collecting pen and race to attached behind an existing crush or yoke gate.

Available in 1500mm or 1750mm heights.

Comprises;

- 10 x 3m long x 1.5m/1.75m 6-rail cattle hurdles
- 2 x race joining arches
- 1 x 1.5m wide race entrance arch with gate
- 15 x 19mm coupling rods



SPECIFICATION

RRP - 1500MM HIGH	£2237.32
RRP - 1750MM HIGH	£2549.22
HOLDING PEN AREA	31m ²
COW CAPACITY	Approx. 26

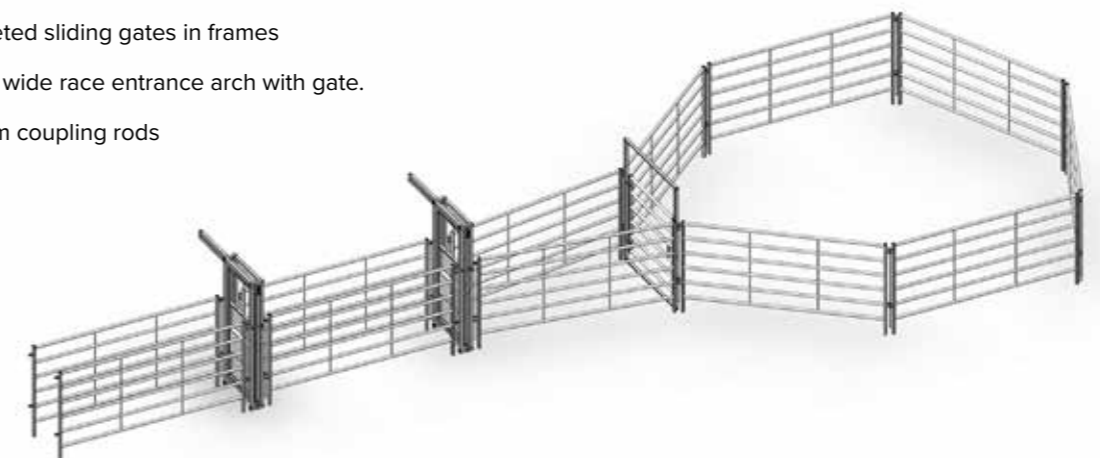
BASIC CATTLE STARTER PACK 2

Designed to form a simple portable collecting pen and race to attached behind an existing crush or yoke gate.

Available in 1500mm or 1750mm heights.

Comprises;

- 12 x 3m long x 1.5m/1.75m 6-rail cattle hurdles
- 2 x Sheeted sliding gates in frames
- 1 x 1.5m wide race entrance arch with gate.
- 15 x 19mm coupling rods



SPECIFICATION

RRP - 1500MM HIGH	£3686.98
RRP - 1750MM HIGH	£4061.26
HOLDING PEN AREA	31m ²
COW CAPACITY	Approx. 26

AUTOMATIC YOKE GATE

The automatic yoke is used on our Devon standard and squeeze version crushes. This is an automatic self-locking yoke that the animal runs into. It is suitable for both beef and dairy breeds. It has quick reset on spring loaded handle and easy release with fold away handle to pull open yoke doors.

Chin scoop compatible (see page 47 for chin scoop).

CODE	SIZE	RRP
515-12	850mm L x 1810mm H	£1343.42



SPRING LOADED QUICK SET HANDLE



FOLD DOWN HANDLE FOR OPENING OF YOKE



WIDTH ADJUSTMENT FOR YOKE



PRE-DRILLED FOR SCOOP

AMBASSADOR DOUBLE YOKE GATE

The Ambassador double yoke gate is a unique product to Bateman and offers a perfect solution for TB testing. This yoke is manually operated with two quick close lever handles which operate simultaneously moving yoke arms that swing in to secure the animal's neck. The yoke width when secured is easily adjusted with a winding handle for varying size of animal.

Not chin scoop compatible.

CODE	SIZE	RRP
512-01	840mm L x 1980mm H	£2919.31



DOUBLE SCISSOR GIVES RESTRICTION FREE ACCESS TO ANIMAL'S NECK



SWING OPEN FRONT SAFETY CAGE



WHEEL-OPERATED FRONT DOORS



SINGLE YOKE GATE
CODE 510-12
RRP £2252.93

SHEETED SLIDING GATE

The sheeted sliding gate works in both directions so is two-way operational for increased convenience for the user on either side of the race. Can be locked off in either direction. The top section has vertical rails to encourage the animal to move forwards in the race.

CODE **SIZE** **RRP**
550-15 850mm L x 2120mm H x 200mm D **£703.48**



SMOOTH TWO-WAY SLIDING

TOP SECTION RAILED TO ENCOURAGE FORWARD MOVEMENT IN THE RACE

FITS PERFECTLY IN-LINE WITH OTHER HANDLING EQUIPMENT

QUICK GRAB HANDLE TO OPERATE SLIDE GATE

PORTABLE NON RETURN GATE

The portable non return gate is a saloon style opening door which offers an in-line solution within a race therefore not blocking off any sections outside the race. The doors open and close within the width of the frame. These are operated with a wheel which also includes a lock off feature to stop any animals pushing through when the doors are closed.

CODE **SIZE** **RRP**
550-14 850mm L x 2110mm H x 380mm D **£1225.27**



HEAVY DUTY CONSTRUCTION

IN-LINE OPERATION WITH RACE SYSTEM

WHEEL-OPERATED SALOON STYLE DOORS

FITS PERFECTLY WITH OTHER RACE EQUIPMENT

PERSONNEL ACCESS KIOSK

The personnel access kiosk offers a great solution for animal access in a controlled and safe way. The swing gates create a through flow when in an open position therefore not impacting on the normal use of the race. However, they can be closed off to allow access to the rear of an animal in the race, or a passage through to the opposite side of the race, to work.

CODE	SIZE	RRP
550-68-01	915mm L x 2025mm H x 850mm W	£685.03



SWING GATES ALLOWING ACCESS THROUGH THE RACE



BLOCKS OFF RACE SECTION



EASY JOINING TO OTHER HANDLING EQUIPMENT



SPRING BOLTS FOR EASY OPERATION

CATTLE HURDLES

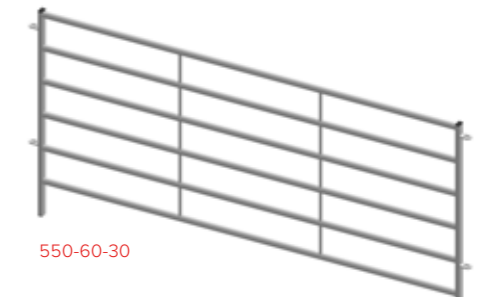
Bateman cattle hurdles come in various sizes. All are joined with the same size rod so even if you have non-matching Bateman hurdles they can all be joined together easily.

Our cattle hurdles are made to have the strongest construction possible whilst remaining portable.



1500MM HIGH CATTLE HURDLES

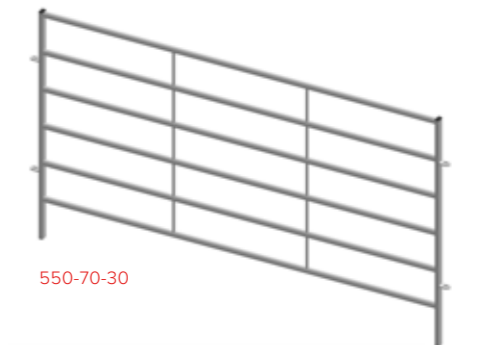
CODE	SIZE	RRP
550-60-25	2500mm L x 1500mm H	£142.99
550-60-30	3000mm L x 1500mm H	£153.40



550-60-30

1750MM HIGH CATTLE HURDLES

CODE	SIZE	RRP
550-70-25	2500mm L x 1750mm H	£158.59
550-70-30	3000mm L x 1750mm H	£184.59



550-70-30

STOKBORD CLAD HURDLES

CODE	SIZE	RRP
550-74-25	2450mm L x 1750mm H	£471.68



550-74-25

COUPLING ROD

CODE	SIZE	RRP
550-19	19mm coupling rod	£12.19

550-19

CATTLE GATES IN HURDLES AND FRAMES

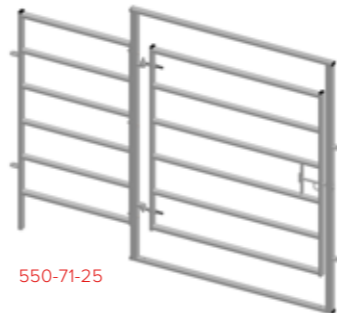
We offer hurdles with access or personnel gates to give access and variation in any race section. These hurdles with gates have the same fixings as our cattle hurdles so fit seamlessly with our other hurdles in any handling system.

The race arch frames and race arches with gates provide extra stability in race sections and as above join to all the race equipment and hurdles we provide in the same way.



HURDLES WITH GATES

CODE	SIZE	RRP
550-71-25	2500mm L x 1750mm H hurdle w/ 1300mm access gate	£324.99
550-71-30	3000mm L x 1750mm H hurdle w/ 1300mm access gate	£376.98
550-72-25	2500mm L x 1750mm H hurdle w/ 650mm personnel gate	£324.99
550-72-30	3000mm L x 1750mm H hurdle w/ 650mm personnel gate	£376.98



550-71-25

RACE JOINING ARCHES

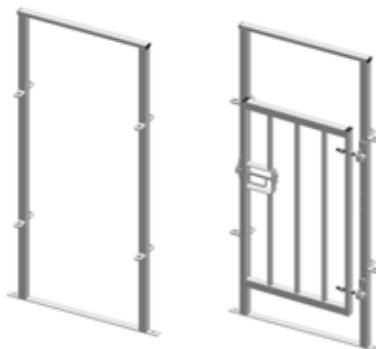
CODE	SIZE	RRP
550-02	850mm L race joining arch	£116.28
550-03	1580mm L race joining arch	£129.42
540-04	850mm L race joining arch with gate	£257.46
550-67-01	1580mm L race joining arch with gate	£298.99



550-72-25

FITTINGS

CODE	ITEM	RRP
550-19	19mm coupling rod	£12.19
550-18	Continuous wall plate with lugs	£29.40



550-02

550-04

BULL PENNING

We supply a full range of bull penning all constructed from super heavy-duty material for premium strength. Our bull penning range is standardised, but we also supply bespoke made bull yokes and feed barriers.

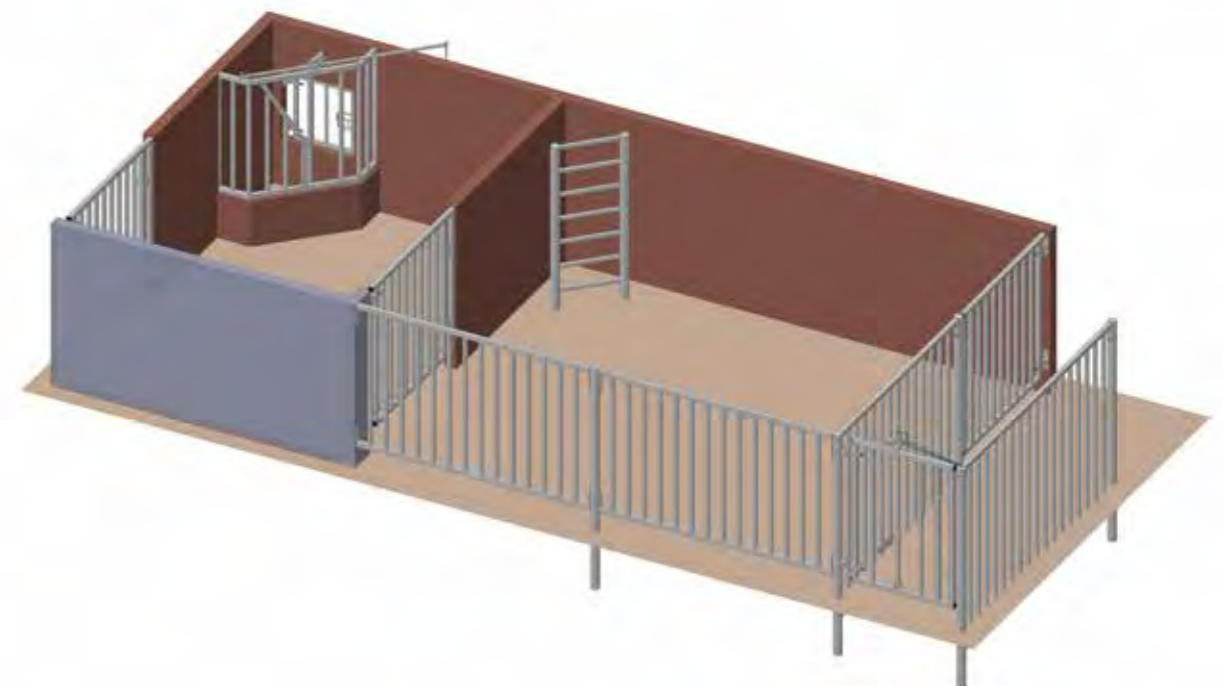
All bull pen products are price on application.



CODE	DESCRIPTION	RRP
780-009	Feed hatch with fittings	POA
780-001	Self-locking corner bull tie	POA
780-008	Twin post ladder refuge	POA
780-004	Service pen entrance gate	POA
780-005	Service pen exit yoke gate	POA
780-006	1100mm vertical rail entrance gate	POA

CODE	DESCRIPTION	RRP
Special	Heavy duty sliding door assembly with all sliding gear	POA
Special	Service pen closely spaced assembly panels, 2700mm and 3050mm with posts	POA
Special	2500mm vertical rail entrance gate	POA
Special	3660mm vertical rail entrance gate	POA

We also supply specialist bull yokes/feed barriers on request.



CATTLE GRIDS

The Bateman complete cattle grid comprises a three section cattle grid together with its own steel base frame, which enables simplified installation compared with the traditional method of constructing a concrete or blockwork base.



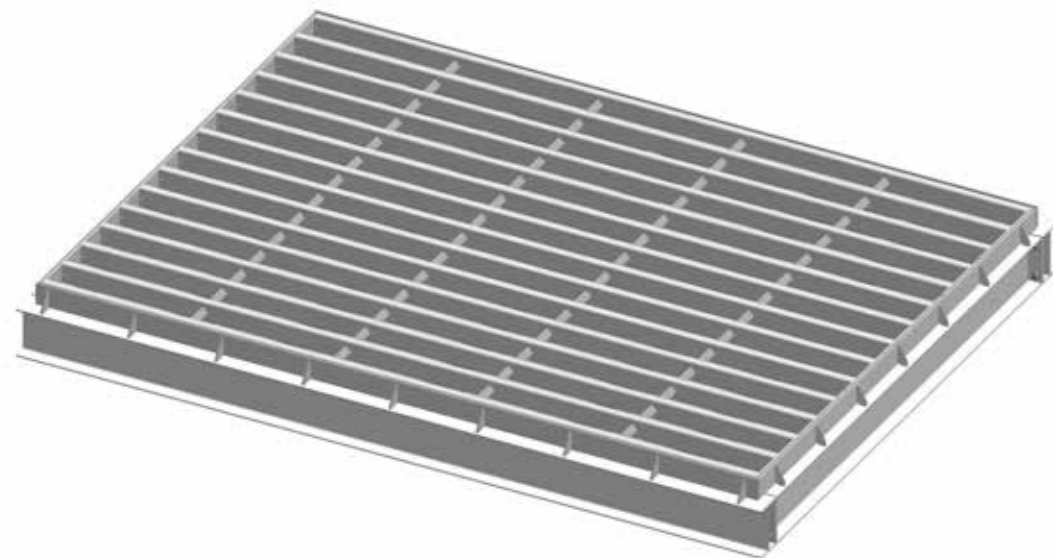
32 TONNE CAPACITY GRID

Base manufactured from 254 x 146 Universal Beam around the perimeter, with pressed steel channel intermediate supports. The fabrication is supplied in single beam sections for ease of transport and handling. Beams are bolted together on-site prior to installation.

The grid is manufactured in three sections from 100 x 50 RHS cross-members with 40 x 40 RHS tie bars and 50 x 10 flat base plates.

Manufactured to BS4008 and galvanized to ISO 1461

CODE	SIZE	RRP
570-32	3850mm W x 2900mm L (In direction of travel) x 350mm D	£5510.87



CATTLE FEEDING

- 70 / CATTLE FEED RINGS
- 71 / CATTLE FEEDERS
- 72 / CATTLE FEED FENCES
- 74 / HOOK ON TROUGHS
- 75 / TROUGHS AND BARLEY FEEDERS
- 76 / CATTLE FEED TRAILER



CATTLE FEED RINGS

We supply a number of circular feeder options to suit all requirements. Each of these options is delivered in sections for ease of transport.



STANDARD CATTLE RING

Our standard specification cattle feed ring has a 470mm high sheeted skirt section with a diameter of 2135mm, supplied in two pieces to bolt together.

CODE	SKIRT	DIAMETER	RRP
680-01	470mm H	2135mm	£360.00



680-01

HEAVY DUTY CATTLE RING

Our heavy duty specification cattle feed ring has a 610mm high sheeted skirt section with a diameter of 2290mm, supplied in two pieces to bolt together.

CODE	SKIRT	DIAMETER	RRP
680-10	610mm H	2290mm	£448.00



680-10

TOMBSTONE CATTLE RING

Bolt together construction, supplied in three pieces. Ideal for horned cattle and for horses, our tombstones extend to the bottom of the skirt for increased strength.

CODE	SKIRT	DIAMETER	RRP
680-21	610mm H	2500mm	£588.80



680-21

YEARLING CATTLE RING

Standard specification cattle feed ring, includes a 470mm high sheeted skirt and a diameter of 1600mm. Supplied in two sections, complete with 16mm coupling rods.

CODE	SKIRT	DIAMETER	RRP
680-30	470mm H	1600mm	£267.20



680-30

CATTLE FEEDERS

We offer several winter feeding solutions, all of which can be used indoors or outdoors. We supply various styles of feeder all built with our usual strength and quality.



FREE STANDING 2 IN 1 FEEDER

Coming in sizes that can span over 15' gaps or join to span a 20' gap, these feeders are an excellent way to utilise space. Diagonal feed fence upper section with a wide and deep feeding trough underneath. Trough width from feed fence is 750mm and has a depth of 500mm. The trough covers the full length of the barrier.

CODE	SIZE	RRP
660-01-30	3000mm L x 750mm W x 500mm D	£717.44
660-01-45	4570mm L x 750mm W x 500mm D	£983.72



660-01-45

CATTLE HAYRACK AND MANGER

Our portable hayrack and manger can be used in several scenarios. With its portable nature it's just as useful in a shed as in a field. Often used for equine feeding. Equipped with a manger underneath the hayrack to catch any potential wastage.

CODE	ITEM	RRP
650-01	Cattle portable hayrack and manger unit	£654.37
650-10	Replacement trough for above	£199.73



650-01

RECTANGULAR CATTLE FEEDERS

The Bateman rectangular feeders have a welded trough, galvanised after manufacture. The trough sits on skids to keep feed off the ground. Vertical feed fence bars reduce wastage.

CODE	SIZE	RRP
650-30-2400	2400mm L x 1370mm W x 1400mm H	£1015.71
650-30-2900	2900mm L x 1370mm W x 1400mm H	£1176.02



650-30-2900

HESSTON BALE FEEDERS

Heavy duty constructed feeder with vertical rail feed sections to reduce wastage, fully welded sheeted bottom sections, standing at 1400mm high and have a width of 1550mm.

CODE	SIZE	RRP
650-12	3000mm L x 1550mm W x 1400mm L	£988.12



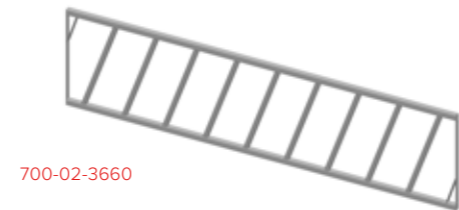
650-12

DIAGONAL FEED FENCES

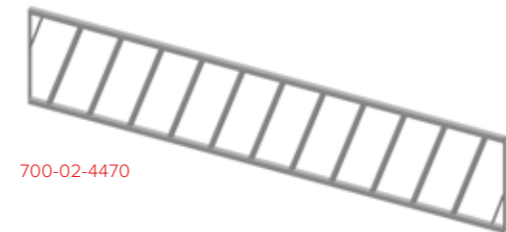
We supply a range of diagonal feed fence of standard designs. These are available as 920mm high panels, 1390mm high panels with timber skirt or as 1365mm high gate units with timber skirt. Standard lengths are designed to suit building stanchions at 4570mm (15'0") and 6100mm (20'0") centres.



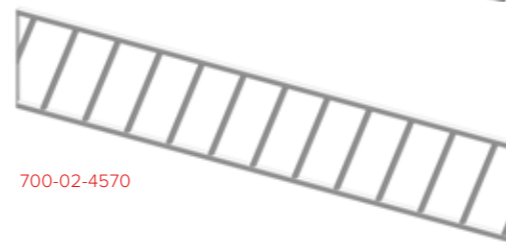
CODE	ITEM	RRP
700-02-2970	2970mm L x 920mm H diagonal feed fence panel with plate ends	£168.19
700-02-3050	3050mm L x 920mm H diagonal feed fence panel with plate ends	£168.19
700-02-3660	3660mm L x 920mm H diagonal feed fence panel with plate ends	£199.73
700-02-4470	4470mm L x 920mm H diagonal feed fence panel with plate ends	£220.75
700-02-4570	4570mm diagonal feed fence panel	£220.75
700-05-4420	4420mm adjustable end diagonal feed fence	£248.00
700-07-5940	5940mm L x 940mm H diagonal feed fence panel with adjustable ends	£464.00



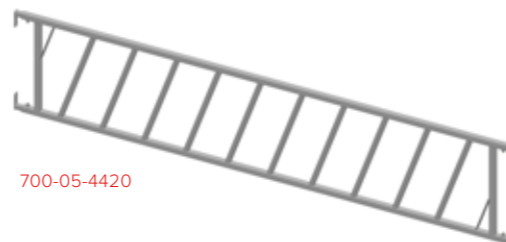
700-02-3660



700-02-4470



700-02-4570



700-05-4420

DIAGONAL FEED FENCE WITH TIMBER SKIRT

Our range of skirted diagonal feed fence is fitted with half-lapped tanalised timber to a height of 520mm, bolted to steel plates. The extendable panels have flat plate ends and are suitable for opening widths that vary slightly in length.

We also offer made to measure barriers of various designs as required. (See page 144)



CODE	ITEM	RRP
700-15-4420	4420mm adjustable end diagonal feed fence panel complete with timber skirt	£430.99
700-16-2970	2970mm L diagonal feed fence panel timber skirt, plate ends	£403.39
700-16-3050	3050mm L diagonal feed fence panel timber skirt, plate ends	£403.39
700-16-4470	4470mm L diagonal feed fence panel timber skirt, plate ends	£423.10
700-16-4570	4570mm diagonal feed fence complete with timber skirt	£423.10
700-17-5940	5940mm L extendable diagonal feed fence panel, timber skirt	£744.00
700-20-4450	4450mm L x 1365mm H diagonal feed fence gate, timber skirt	£473.04
701-02-100	100 x 100 RHS support post	£82.47



700-15-4420



700-16-3050

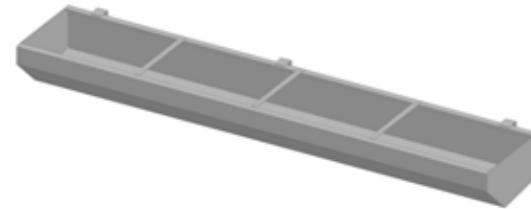


700-16-4570



700-20-4450

HOOK ON CATTLE FEED TROUGHS



These troughs can be supplied in any length but are supplied in three standard further dimension sizes listed below.

- 450mm wide x 300mm deep
- 600mm wide x 300mm deep
- 750mm wide x 350mm deep

Please note if ordering to fit existing feed fence barriers you will need to confirm the box section size they are to hook onto. The standard size hooks we use are to suit 50 x 50mm or 60 x 60mm. (Please confirm sizes when ordering).

These troughs are fully galvanised and include flat bracing for extra strength. Timber versions are also available and all hook on troughs are priced on application. As an option, these can also be bolted on.



450MM WIDE
EXAMPLE SHOWN



600MM WIDE
EXAMPLE SHOWN



750MM WIDE
EXAMPLE SHOWN



BESPOKE SIZES
AVAILABLE

TROUGHS AND BARLEY FEEDERS

Our trough feeders are amongst our most popular products and for good reason - they offer ideal feeding solutions in a number of circumstances as well as representing excellent value for money.



2500MM BEEF TROUGH

Our hugely popular beef trough is simple but strong, with a trough depth of 230mm it gives great variation in the age of animal it can be used for.

CODE	SIZE	RRP
650-03	2500mm L x 800mm D x 700mm H	£264.00
650-03-01	Badger Proof Roller Kit	£208.92

3000MM BEEF TROUGH

Similar in design to the 2500mm version but with longer length and a deeper trough for higher feeding capacity. Can be put in front of a winter housing panel such as a feed fence to offer a cost effective alternative to hook over barrier troughs.

CODE	SIZE	RRP
650-07	3000mm L x 800mm D x 700mm H	£457.27

BULLOCK/PIG TROUGHS

Floor feeding troughs with heavy duty construction to withstand pressure from bullocks or pigs, these troughs come with cross straps to segregate feeding sections and increase rigidity of troughs.

CODE	SIZE	RRP
395-01-09	900mm L	£51.46
395-01-12	1220mm L	£59.80
395-01-18	1800mm L	£82.53

HEAVY DUTY BARLEY BEEF FEEDER

Heavy duty construction makes this feeder an ideal solution for feeding ad lib over a number of days. Has a total capacity of 1400kg. Designed to be filled with a loader bucket, the 3000mm long lid is easily opened and is wider than most standard buckets to avoid any spillages which also reduces waste. The flow control plate is adjusted from outside the unit for ease of operation.

CODE	SIZE	RRP
658-12-30	3000mm L x 700mm D x 1525 H	£2539.34



VIEW
PRODUCT
VIDEO

650-03-01



650-03



650-07



395-01-18



395-01-09



658-12-30

CATTLE FEED TRAILER

The Bateman cattle feed trailer is heavy duty in construction and hot dip galvanised with treated timber in the feed trough. Heavy duty wheels are included for ease of transport even through difficult ground. The trailer has 34 feed spaces so is a very useful tool for feeding indoors or outdoors. The unit also features a fixed draw bar for ease of towing. The trailer has an opening rear door for easy cleaning.



CODE	SIZE	RRP
659-02	5000mm L x 1630mm W x 1500mm H	£5382.10



10.0 75 X 15.3
6-STUD WHEELS ON
60MM STUB AXLES



EASY TO LOAD BALES
OVER THE SIDE PANELS



OPENING REAR DOOR
FOR EASY CLEANING



FIXED DRAWBAR WITH
PICK-UP HITCH AND
REMOVABLE STAND

CUBICLES

78 / CUBICLES

80 / SAMPLE CUBICLE LAYOUTS



CUBICLES

Bateman cow cubicles are the new standard in cow comfort. Available in four main styles of cubicle we have a loop to suit every breed/size of animal.

All our cubicles are priced on application. We offer a free no obligation on-farm quoting service if you would like us to measure up for your requirements before providing a detailed quote.



EUROPEAN COW CUBICLES

Designed to suit smaller dairy breeds – Friesian, Guernsey or Jersey, this original Euro loop was the first to start the cow comfort range.

AVAILABLE IN THREE STANDARD LENGTHS:

- 1750mm loop
- 1870mm loop
- 2000mm loop

All the above sizes can also be used on larger head to head runs. Recommended bed centres of 1145mm. A smaller young stock version is also available.



HIGHNECK EUROPEAN COW CUBICLE

Designed to suit larger breeds of dairy animals, ideally Holstein or FriesianXHolstein. This deeper loop lifts the headrail to allow the animal to get to its feet without obstruction.

AVAILABLE IN FOUR STANDARD LENGTHS:

- 1750mm loop
- 1870mm loop
- 2000mm loop
- 2100mm loop

All the above sizes can also be used on larger head to head runs. Recommended bed centres of 1145mm to 1220mm.



PARALLEL COW CUBICLE

The parallel cubicle is our third generation of European style cow cubicle which has been designed specifically with large Holsteins in mind. The extra "kick" on top of the cubicle loop raises the head rail to allow the animal to stand with all four feet on the bed. This was done to improve lameness by removing the pressure sent to the rear feet when the animal would stand with its front feet on the bed but its back feet in the scrape passage.

AVAILABLE IN FOUR STANDARD LENGTHS:

- 1750mm loop
- 1870mm loop
- 2000mm loop
- 2100mm loop

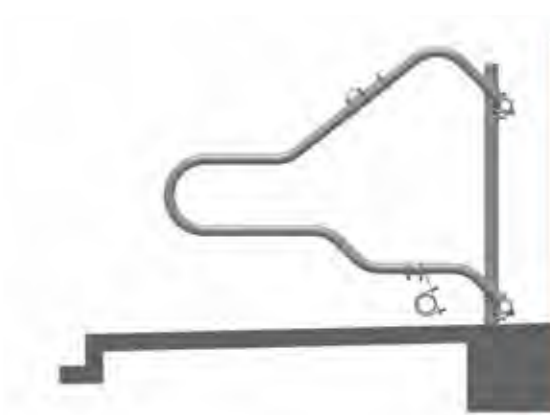
All the above sizes can also be used on larger head to head runs. Recommended bed centres of 1145mm to 1220mm.



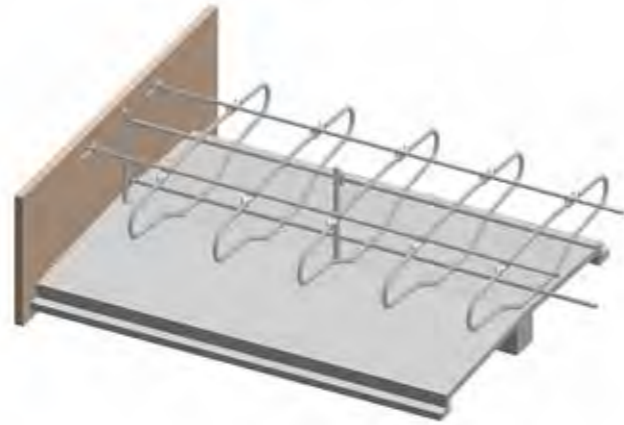
K38 CUBICLE

Made and supplied in conjunction with Kingshay independent dairy specialists, this unique design cubicle offers features not seen in most standard loop designs.

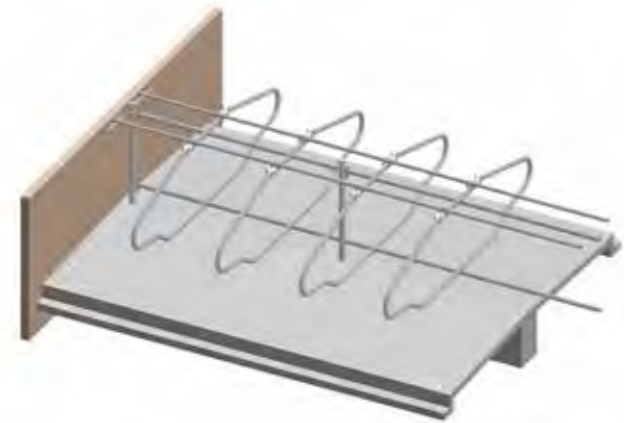
We worked closely with Kingshay to bring this product to market and they are on hand to offer additional expert advice should you be interested in this design.



EUROPEAN
COW CUBICLES
SAMPLE LAYOUT



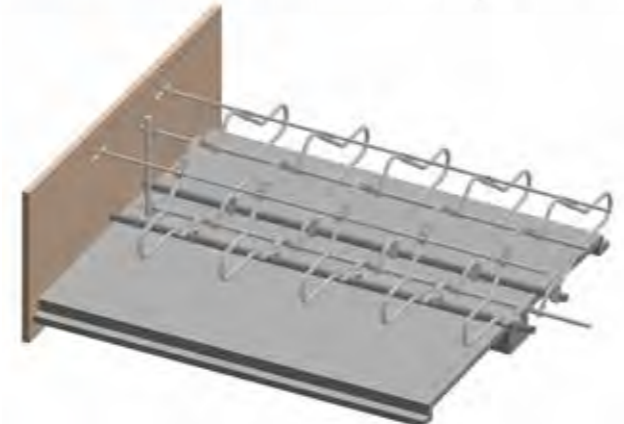
HIGH NECK
EUROPEAN
COW CUBICLES
SAMPLE LAYOUT



PARALLEL
COW CUBICLES
SAMPLE LAYOUT



K38
COW CUBICLES
SAMPLE LAYOUT



CALF EQUIPMENT

- 82 / CALF DE-HORNER
- 83 / CALVING HURDLE
- 84 / CALF CREEP FEEDER
- 85 / CALF PENNING
- 86 / CALF WEIGHERS



CALF DE-HORNER

The Bateman calf de-horner is an exceptionally solid unit which is suitable for use for calves from 1 to 8/10 weeks. Portable and very strong, it offers a quick easy solution for de-horning calves as well as general handling. The unit features an adjustable height chin rest complete with protective strip to prevent injury to calf. The chin rest also includes a securing rope with a plastic fastening cleat. Fold away handles and heavy-duty wheels make the calf de-horner easy to move around.

CODE	SIZE	RRP
400-52	1150mm L x 450mm W x 110mm H	£1181.75



BACK UP BAR INCLUDED WITH 4 FIXING POINTS FOR DIFFERENT SIZE ANIMALS

ADJUSTABLE HEIGHT BAR FOR SECURING CALF'S HEAD

SWING OPEN GATE TO RELEASE ANIMAL

CHIN REST AND ROPE FOR SECURING ANIMAL'S NOSE

CALVING HURDLE

The Bateman calving hurdle is a solid unit and an extremely useful product, fixing to a wall or post and folding round to the side of the animal. This hurdle also features removable side bars. The upper bars can be removed for caesareans and the lower bars when a calf is suckling. A heavy duty frame surrounds the whole unit. The yoke section on the front of the unit has good adjustment making this an extremely versatile hurdle.

CODE	SIZE	RRP
550-50-30	2000mm H x 3080mm L	£712.26



3000MM LONG

RATCHET LOCKING POINTS FOR THE YOKE

WIDTH ADJUSTMENT ON YOKE APERTURE

SWING BACK GATE

HEAVY DUTY CALF CREEP FEEDER

Our heavy duty calf creep feeder has a large capacity of 320kg. The hopper is accessed by an easy to lift push over lid. The lid comes with handles to help hold steady and use efficiently. Solid bolt together construction means units can be delivered flat packed should it be required. The calf aperture section of the creep comes with adjustable vertical rails allowing for multiple width settings depending on the size of calves feeding from it.



CODE	SIZE	RRP
400-60	2440mm L x 1525mm D x 1525mm H	£1856.00



HEAVY DUTY GALVANISED SHEET CONSTRUCTION



3-POINT LINKAGE AND FORKLIFT CHANNELS



EASY LIFT LID FOR HOPPER



WIDE HOPPER FOR EASY FILLING

CALF PENNING

We supply a railed and sheeted version which can be mixed and matched where required. Double sided hay basket units fit neatly over the calf pen rails and one basket can be used to feed two pens comfortably. Front panels come complete with a double bucket holder making feeding and hydrating easy to achieve without the need for extra holders.



CODE	ITEM	RRP
400-01-10	970mm L calf pen front c/w bucket holders	£72.36
400-01-18	1740mm L double calf pen front c/w bucket holders	£167.45
400-03-18	1740mm L sheeted calf pen side c/w rods	£105.01
400-02-18	1740mm L railed calf pen side panel c/w rods	£80.81
400-05-10	970mm L sheeted calf pen rear panel	£69.62
400-04-10	970mm L railed calf pen rear panel	£56.50
400-10	Additional 10mm coupling rod	£5.26
400-06	Wall fixing plate	£15.11
400-07	Double sided haybasket	£30.02
400-08	Additional bucket holder	£17.37



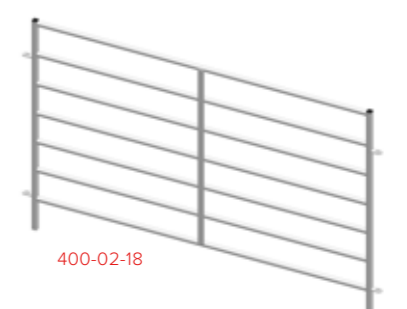
400-01-10



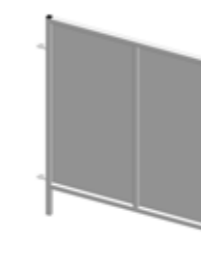
400-01-18



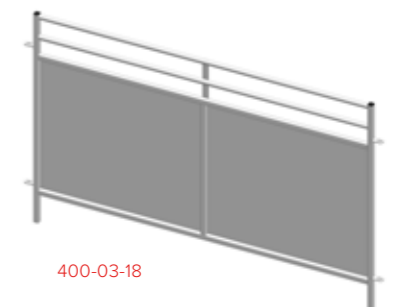
400-04-10



400-02-18



400-05-10



400-03-18

CALF WEIGHERS

Heavy duty weighing crate suitable for calves but can also be used for sheep or pigs. The mechanical unit comes complete with a 200kg Salter mechanical weigh head. Our calf weigher comes with easy open spring assisted hinged entrance and exit gates. This system offers great flow of animals through the weigher.

Electronic version available with mount bracket and load cell (compatible with TruTest weigh displays - see page 48).



CODE	VERSION	SIZE	RRP
800-60	Mechanical	1500mm L x 700mm W x 1290mm H	£1366.55
800-62	Electronic	1500mm L x 700mm W x 1290mm H	£1655.63



200MM WHEELS FOR TRANSPORT EVEN IN TOUGH GROUND



LIFTING HANDLES FOR EASE OF TRANSPORT



200KG MECHANICAL WEIGH CLOCK



ELECTRONIC VERSION AVAILABLE

SHEEP HANDLING

- 88 / SHEEPVET
- 92 / SHEEP GRIP
- 96 / DRAFTWEIGH
- 100 / LAMB WEIGHERS
- 101 / LAMB ADOPTER HURDLE
- 102 / STANDARD/POLY SHEEP RACE
- 104 / PORTABLE EQUIPMENT
- 106 / SHEEP RACE EQUIPMENT
- 108 / SHEEP HURDLES



SHEEPVET

The Sheepvet is our unique turnover crate, with many features only seen in the Bateman version.

It is perfect for foot pairing, dagging and general veterinary work.

KEY FEATURES

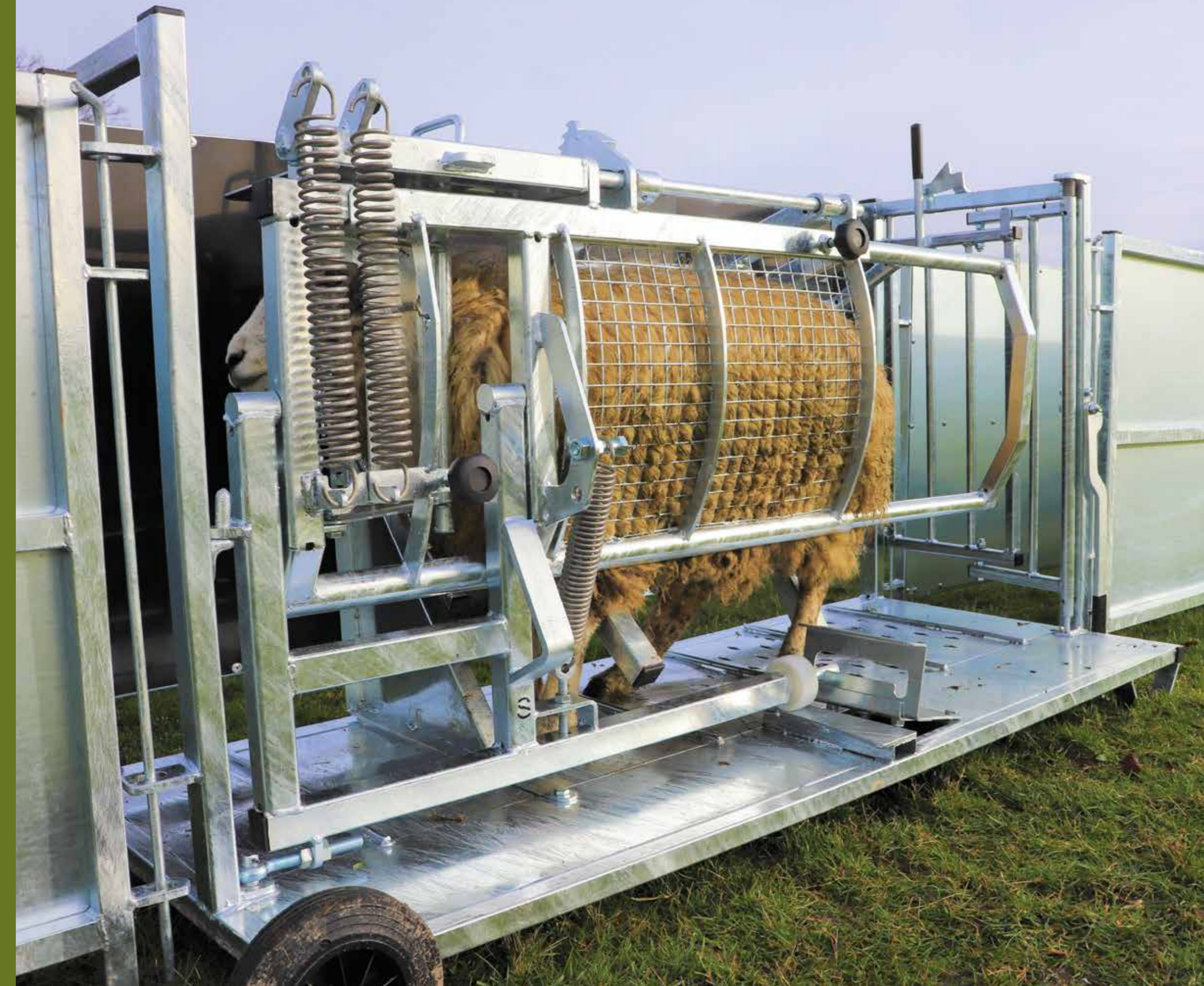
- Automatic head yoke with width adjustment
- Squeeze down body clamp
- Cradle length adjustable
- Easy turning mechanism

CODE

800-30

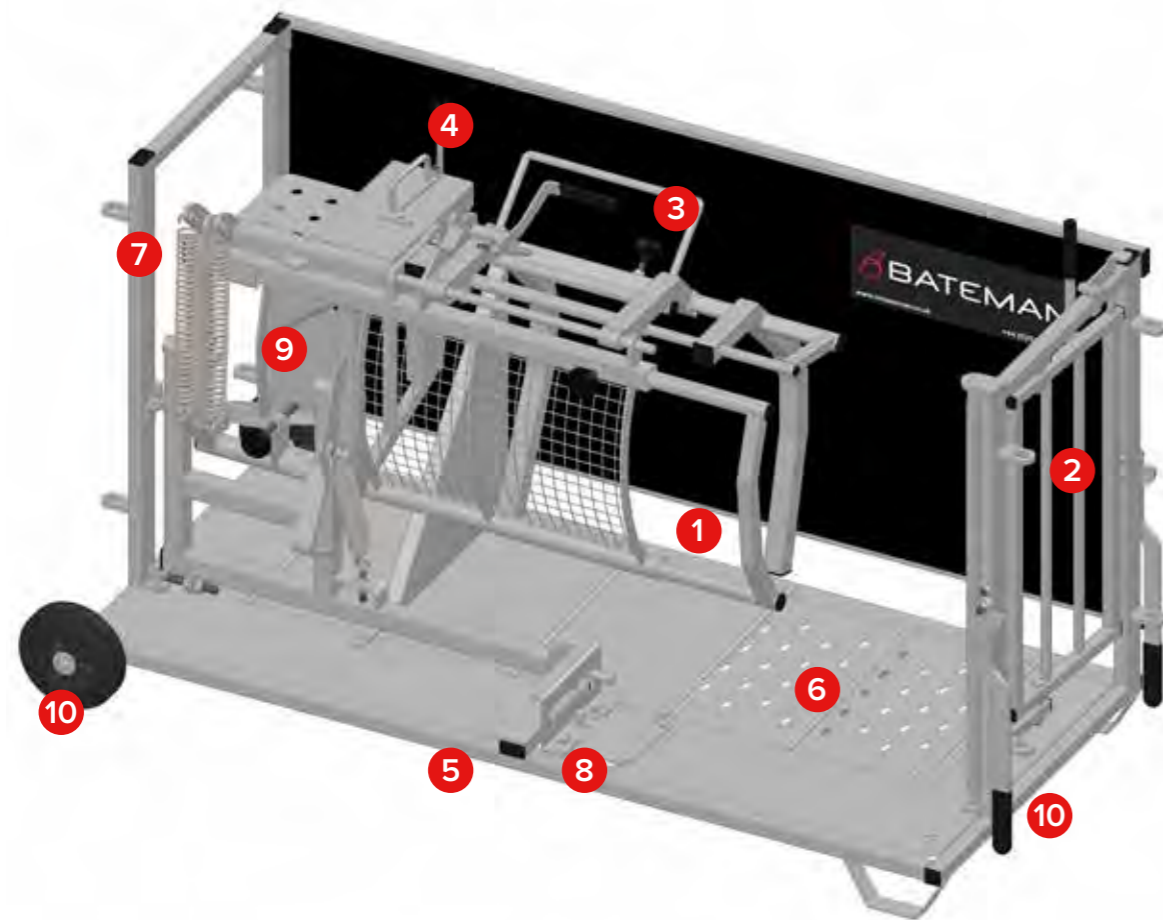
RRP

£1808.05



SPECIFICATION

CODE	800-30
RRP	£1808.05
LENGTH	1730mm
DEPTH	550mm
HEIGHT	900mm



- 1. SQUEEZE DOWN CRADLE SIDES
- 2. QUICK CLOSING REAR GATE
- 3. QUICK RELEASE HANDLE FROM CRADLE
- 4. QUICK RELEASE HANDLE FROM HEAD YOKE



5. TURNOVER POSITION
Ideal for clipping feet



6. REAR ACCESS TO ANIMAL
Easy access to animal for dagging



7. HEAD ACCESS
Cheek rest for animal so easy and convenient to work on animal's head



8. FOOT PEDAL
Allowing cradle to be swung out for access all round the animal



9. AUTOMATIC HEAD YOKE
Unique feature fixing head in position when shoulders hit panel



10. HANDLES AND WHEELS
Easy transportation between locations

SHEEP GRIP

The new Bateman Sheep Grip unit is designed to be used for dagging, drenching, injecting and tagging of varying sizes of sheep.

A foot operated treadle mechanism operates the restraining panel which gently grips the sheep, preventing its movement forwards or backwards.

Weighing can also be undertaken with the optional platform and electronic weigh equipment, whereby the display is set to zero whilst the operator is standing on the platform.

KEY FEATURES

- Adjustable width settings for varying sizes of sheep
- Entry ramp with aluminium tread plate base and access/stop gate when dagging or trimming feet
- Treadle bar with spring return and lever to lock in closed position
- Two plastic storage boxes with can holder
- Polypropylene clad side panels
- Clipping machine/ drench bottle support arm

OPTIONAL EQUIPMENT

- 3-way drafting exit ramp
- Weigh platform to accommodate Trutest 600 load bars
- EID Equipment

CODE

800-80

RRP

£3906.10

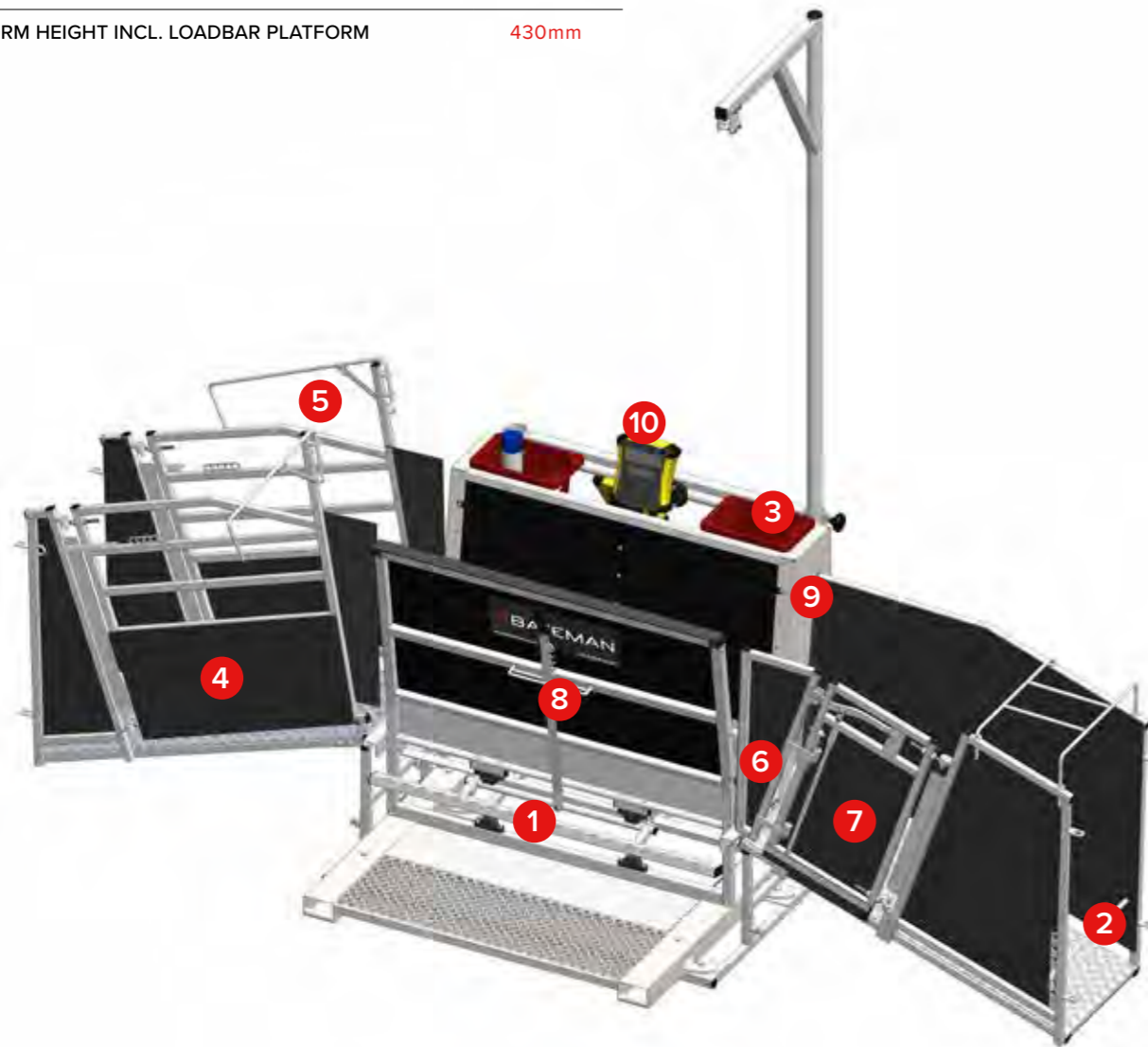
(exit ramp and weigh frame extra)



[VIEW PRODUCT VIDEO](#)

SPECIFICATION

CODE	800-80
RRP (COMPLETE WITH ENTRY RAMP AND SUPPORT ARM)	£3906.10
3-WAY DRAFTING EXIT RAMP	£1314.65
WEIGH FRAME (DOES NOT INCLUDE TRUTEST)	£432.84
LENGTH WITHOUT EXIT RAMP	2390mm
LENGTH WITH EXIT RAMP	3600mm
WIDTH	1170mm
HEIGHT	1150mm
PLATFORM HEIGHT INCL. LOADBAR PLATFORM	430mm



- 1. OPERATING TREADLE BAR
- 2. ANTI BACKING BAR
- 3. STORAGE TUBS
- 4. POLYPROPYLENE CLAD SIDES



5. THREE WAY DRAFT
Allows animal to exit in three directions into penning



6. REAR ACCESS
Perfect for dagging



7. ENTRY RAMP GATE
Easily shut off the entry ramp for any followers



8. LOCKING SYSTEM
Ratchet system to hold animal in gripped position



9. WIDTH ADJUSTMENT
Quick adjustment to the grip width



10. WEIGHING
Compatible with weigh and EID equipment

DRAFTWEIGH

The Draftweigh is our perfect solution for fast and easy working. It can weigh, read tags (optional extra) and manually draft all in one unit.

The Draftweigh is also completely portable and easy to operate with both hands.

KEY FEATURES

- Fold under wheels for easy transportation / works flat to the ground
- Tapered sides reduce the risk of the animal turning around
- EID version available
- Brand-new hard-wearing sides
- Very quick and efficient to use

CODE

800-57

RRP

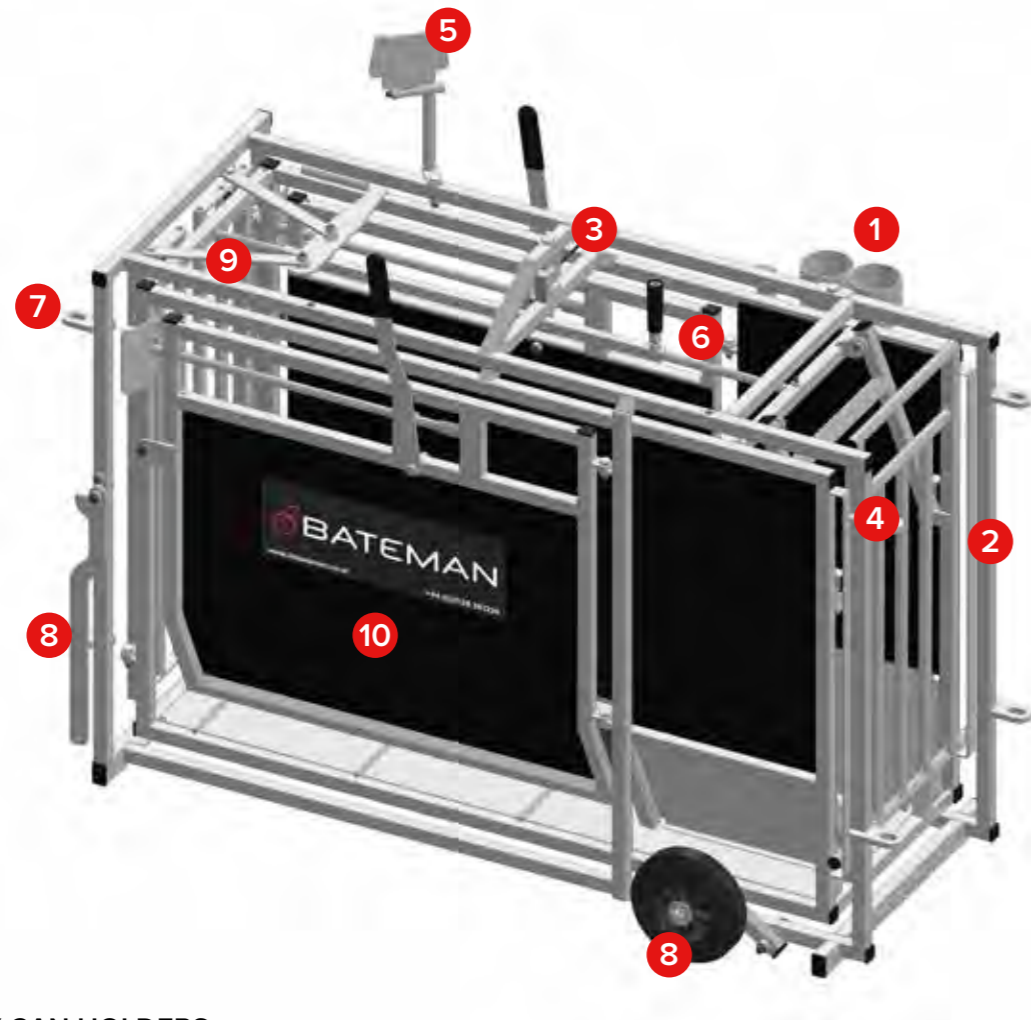
£1998.34

(weigh heads and readers extra)



SPECIFICATION

CODE	800-57
RRP	£1998.34 (weigh heads and readers extra)
LENGTH	1385mm
DEPTH	575mm
HEIGHT	1070mm not incl. weigh head



- 1. SPRAY CAN HOLDERS
- 2. LIFT UP REAR GATE
- 3. 250KG SUSPENDED CAPACITY SINGLE LOAD CELL
- 4. QUICK RELEASE SPRING LOADED SIDE DOORS



5. TRU TEST COMPATIBLE
Quick and easy to equip with Tru Test weighing/EID units



6. FULL ACCESS
Great access from above the animal



7. IN-LINE OPERATION
Works seamlessly with other handling equipment



8. FULLY PORTABLE
Fold out handles and wheels make the unit easy to move



9. QUICK RELEASE FRONT EXIT GATE
Smooth handle operated from front exit gate



10. SIDE DRAFTING GATES
Easy to use with any hand

LAMB WEIGHERS

The lamb weigher is portable as well as being quick and easy to use.

- **Mechanical version** comes complete with a Salter weigh clock with 100kg weigh capacity.
- **Electronic version** comes with mount box and load cell (compatible with TruTest weigh displays - see page 48).

CODE	VERSION	SIZE	RRP
800-50	Mechanical	1200mm L x 550mm D x 1000mm H	£869.74
800-52	Electronic	1200mm L x 550mm D x 1000mm H Includes mounting box and load cell	£1207.56
Special	Electronic including weigh head	1200mm L x 550mm D x 1000mm H Includes Tru Test S3	£1860.61



SPRING LOADED ENTRY AND EXIT GATES



WHEELS AND FOLD OUT HANDLES FOR EASY TRANSPORTATION



MECHANICAL VERSION COMES WITH 100KG WEIGH CLOCK



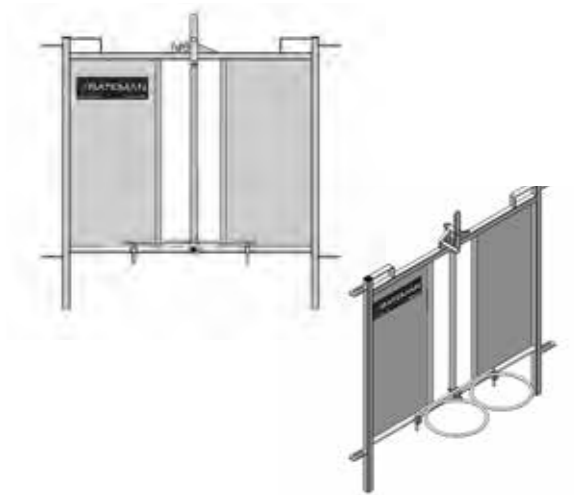
AVAILABLE IN DIGITAL VERSION

LAMB ADOPTER HURDLE

This simple hurdle is designed to attach across the corner of existing sheep hurdles to form a pen, whereby the ewe can be restrained in the yoke to enable lambs to be adopted.

The yoke has two positions and the hurdle is supplied with a detachable double bucket holder and two 10mm coupling rods.

CODE	SIZE	RRP
800-75	900mm L x 950mm H	£154.59



YOKE ADJUSTMENT



DOUBLE BUCKET HOLDER



ATTACHED WITH COUPLING RODS



EASILY FITTED IN EXISTING PENS

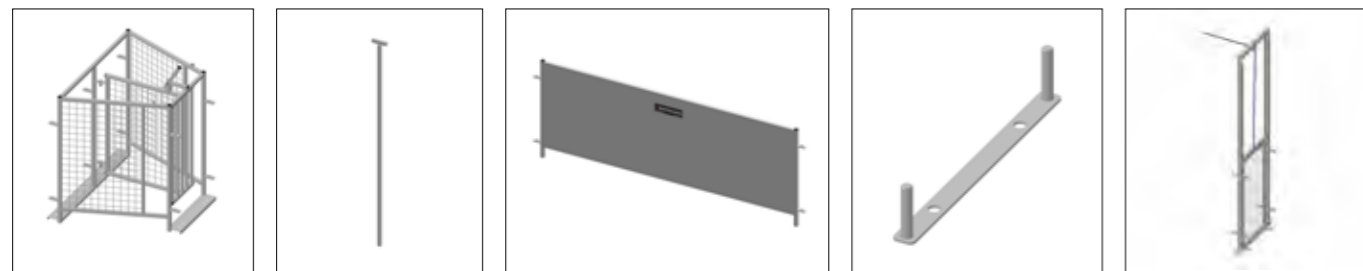
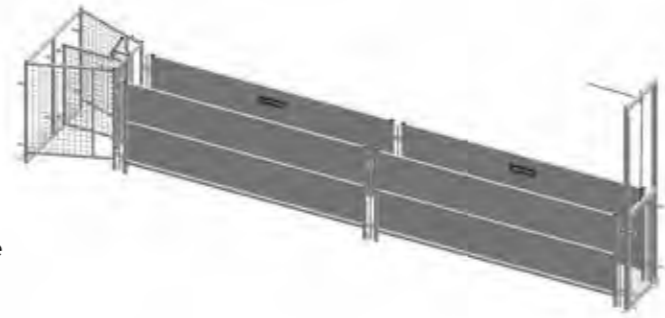
STANDARD SHEEP HANDLING STARTER RACE

This is the perfect starter unit to build from and is quick and easy to set up.

Comprising of

- 4 x 2400mm sheeted hurdles
- 1 x 500mm guillotine gate
- 1 x drafting gate
- 1 x 500mm joining frame
- 6 x 16mm coupling rods

CODE	RRP
806-1100	£1060.39



HEAVY DUTY DRAFTING GATE		16MM COUPLING ROD		2400MM STANDARD SHEETED HURDLE		STANDARD 500MM RACE JOINER		STANDARD 500MM GUILLOTINE GATE	
CODE	RRP	CODE	RRP	CODE	RRP	CODE	RRP	CODE	RRP
800-06	£264.79	800-16	£5.90	806-24	£118.13	806-03	£16.75	806-02	£194.61

POLYPROPYLENE SHEEP RACE

This is the perfect starter unit to build from and is quick and easy to set up. It is rot resistant, advantageous when using pour on treatments.

Comprising of

- 4 x 2400mm hurdles
- 1 x 500mm guillotine gate
- 1 x drafting gate
- 1 x 500mm joining frame
- 6 x 16mm coupling rods

CODE	RRP
806-1100-P	£1112.00



HEAVY DUTY DRAFTING GATE		16MM COUPLING ROD		2400MM STANDARD POLYPROPYLENE HURDLE		STANDARD 500MM RACE JOINER		STANDARD 500MM GUILLOTINE GATE	
CODE	RRP	CODE	RRP	CODE	RRP	CODE	RRP	CODE	RRP
800-06	£264.79	800-16	£5.90	806-24-P	£131.04	806-03	£16.75	806-02	£194.61

PORTABLE SHEEP RACE EQUIPMENT

These products make up additional sections of race and can be added to all our other heavy duty sheep equipment seamlessly. All made with the strong specification we base our premium sheep equipment on.



STAND IN SHEEP FOOTBATH

Comprising of

- 2 x 2500mm sheeted hurdles
- 2 x 1000mm guillotine gates
- 1 x footbath with matting

CODE	SIZE	RRP
800-11	2500mm L x 950mm W x 900mm H (hurdle height)	£1193.10

LAMB ADOPTER AND ADD ON UNIT

Our lamb adopter unit begins as a starter kit complete with the following

- 1 x adopter front with bucket holder
- 2 x sheeted sides
- 1 x rear panel with access door and coupling rods

The units can then be added to with the add on kit which includes

- 1 x adopter front with bucket holder
- 1 x sheeted side
- 1 x rear panel with access door and coupling rods

CODE	ITEM	RRP
800-70	Lamb adopter starter kit	£400.77
800-71	Lamb adopter add on kit	£343.61

SHEEP HEAD YOKE

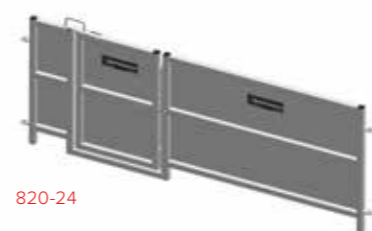
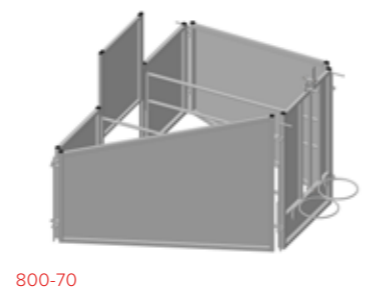
This sheep head yoke can be placed into a standard 500mm race. It can be left open to allow standard sheep flow or engage the yoke gates to trap an animal.

CODE	RRP
800-25	£565.20

2500MM KNEE IN HURDLE

A simple 2500mm long sheeted hurdle with access gate, that can be pushed in with a knee which keeps your hands free to work.

CODE	RRP
820-24	£283.82



PORTABLE SHEEP HANDLING EQUIPMENT

We supply a number of products that make up our sheep systems in individual parts.

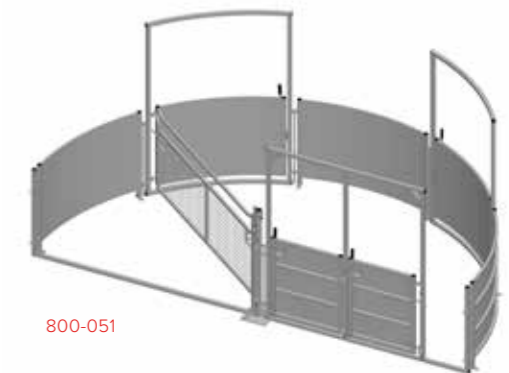


CHATHAM CHASER UNIT

Half circle forcing pen for sheep, can be easily moved from one location to another. The famous hoskin gate system allows for the quick and easy manoeuvring of sheep groups.

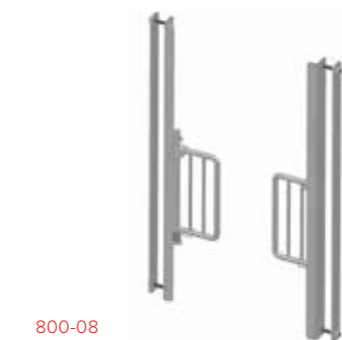
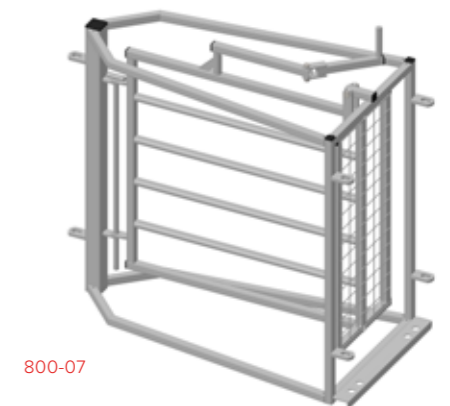
- Comprising of the following
- 3 x radius sheeted hurdles
 - 2 x radius gates in frame
 - 1 x hinged exit gate
 - 1 x hoskin gate in frame
 - Optional extra guillotine gate

CODE	RRP
800-051	£2666.08



SHEEP RACE EQUIPMENT AND ACCESSORIES

CODE	DESCRIPTION	RRP
800-06	Heavy duty drafting gate	£341.11
800-07	Remote shedding stop gate	£387.50
800-08	Clamp on non return gates	£154.39
800-09/10	Meshed decoy panels	£212.47
800-12	12mm coupling rod	£5.24
800-16	16mm coupling rod	£6.57



HEAVY DUTY SHEEP HURDLES

These hurdles are our premium specification offering and are best used with race and handling systems.



HEAVY DUTY SHEETED SHEEP HURDLES

40mm x 40mm x 2mm RHS throughout

CODE	SIZE	RRP
810-09	900mm L x 900mm H	£109.51
810-12	1200mm L x 900mm H	£126.34
810-18	1800mm L x 900mm H	£154.42
810-24	2400mm L x 900mm H	£182.50
810-30	3000mm L x 900mm H	£210.58

HEAVY DUTY RAILED SHEEP HURDLES

38mm x 1.5mm tube top and bottom
28mm x 1.2mm intermediates

CODE	SIZE	RRP
811-09	900mm L x 900mm H	£89.17
811-12	1200mm L x 900mm H	£95.33
811-18	1800mm L x 900mm H	£101.47
811-24	2400mm L x 900mm H	£132.23
811-30	3000mm L x 900mm H	£144.53

RAILED SLIDING HURDLES

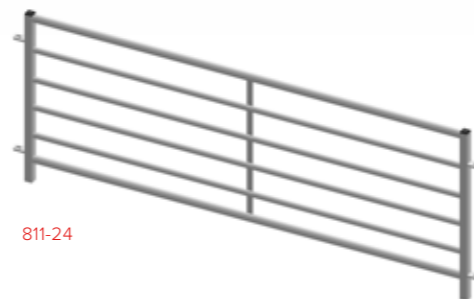
CODE	SIZE	RRP
814-18	1800mm L x 900mm H	£238.65
814-24	2400mm L x 900mm H	£252.69
814-30	3000mm L x 900mm H	£280.77

SHEETED SLIDING HURDLES

CODE	SIZE	RRP
813-18	1800mm x 900mm H	£322.89
813-24	2400mm x 900mm H	£364.99
813-30	3000mm x 900mm H	£336.92



810-24



811-24



814-24



813-24

HEAVY DUTY SHEEP RACE EQUIPMENT

We offer race gates, access points and guillotine gates separately to fit into race and handling systems.



MESHED STOP GATE

CODE	DESCRIPTION	RRP
800-26	500mm L race frame	£325.21

HEAVY DUTY RACE JOINING FRAMES

CODE	DESCRIPTION	RRP
817-05	500mm L race joining frame	£111.54
817-05-01	500mm L race joining frame with backup bar	£199.59
817-06	600mm L race joining frame	£149.70
817-10	1000mm L race joining frame	£164.68

SWING GATE IN FRAME

Supplied with spring bolt. Rails are 38mm x 1.5mm tube.

CODE	DESCRIPTION	RRP
815-09	900mm L x 900mm H	£217.22
815-12	1200mm L x 900mm H	£249.50
815-24	2400mm L x 900mm H	£308.20

HEAVY DUTY SHEEP HURDLES WITH ACCESS GATES

960mm access gates. Rails are 38mm x 1.5mm tube.

CODE	DESCRIPTION	RRP
818-160	1600mm L x 900mm H	£440.19
818-185	1850mm L x 900mm H	£469.09

WALK THROUGH GUILLOTINE GATES

Gates allow walk through or vertical lift movement.

CODE	DESCRIPTION	RRP
816-05	500mm L	£381.60
816-06	600mm L	£440.30
816-10	1000mm L	£469.65



800-26

817-05-01



815-12



818-185



816-05

SHEEP HURDLES

We offer a range of standard specification sheep hurdles.

We supply sheep hurdles in packs of 25 with the exception of lamb creep hurdles.



STANDARD INTERLOCKING SHEEP HURDLES

7-rail loop end sheep hurdles.

CODE	SIZE	RRP
801-10-04	1220mm standard sheep hurdle c/w loops	£35.89
801-10-05	1525mm standard sheep hurdle c/w loops	£39.68
801-10-06	1830mm standard sheep hurdle c/w loops	£40.77



801-10-06

STANDARD LUGGED SHEEP HURDLES WITH COUPLING RODS

7-rail lugged end sheep hurdles supplied with coupling rod.

CODE	SIZE	RRP
801-38-04	1220mm mid range c/w rods	£37.36
801-38-05	1525mm mid range c/w rods	£40.11
801-38-06	1830mm mid range c/w rods	£43.12



801-38-06

LAMB CREEP HURDLES

Available in fixed and adjustable version.

CODE	SIZE	RRP
801-06-06	1830mm L economy	£70.45
801-07-06	1830mm L adjustable	£88.80



801-07-06

SHEEP SYSTEMS

- 110 / SYSTEM A
- 111 / SYSTEM B
- 112 / SYSTEM C
- 113 / SYSTEM D
- 114 / SYSTEM E



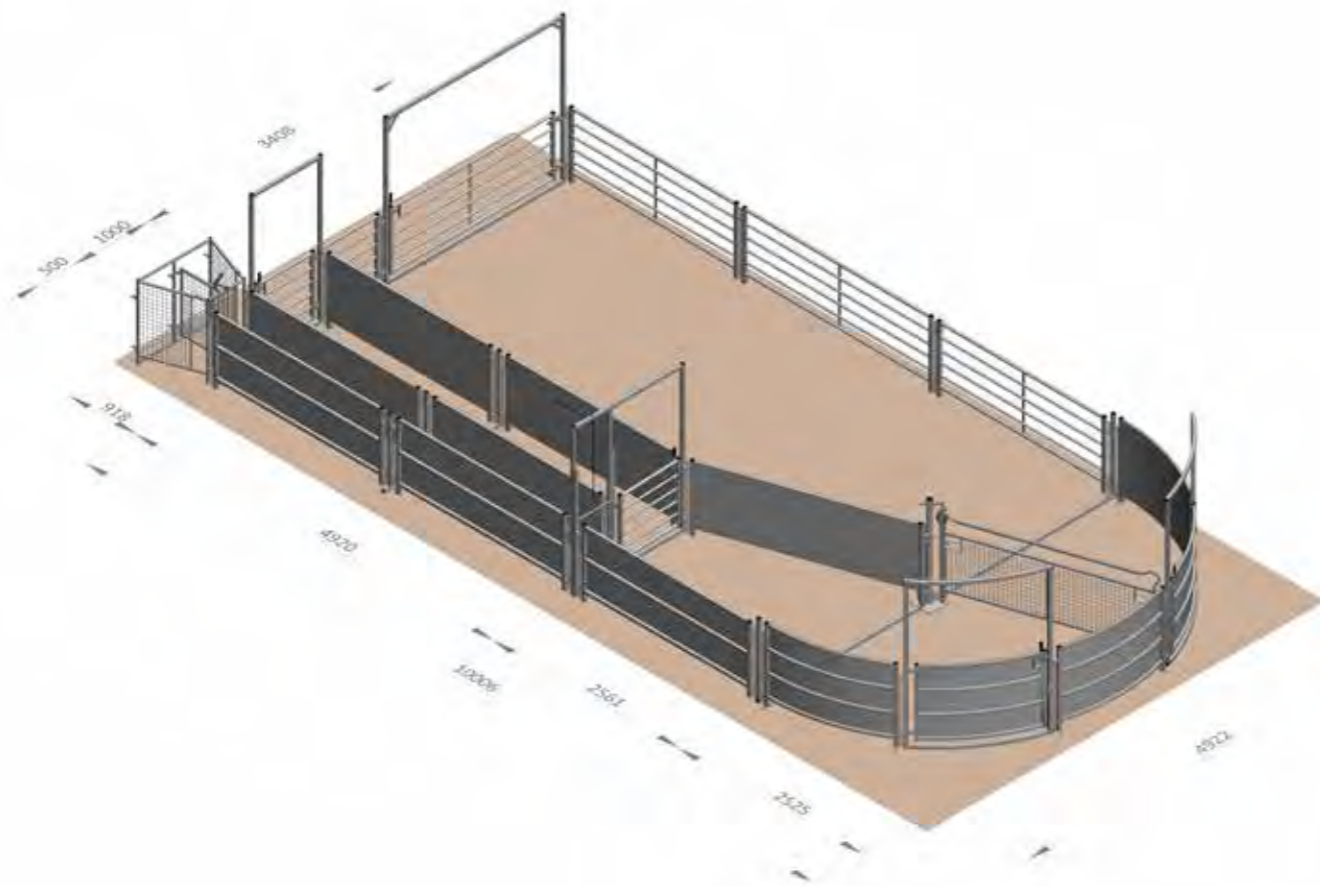
SHEEP SYSTEM C

This system features two race/access sections with a forcing pen section.

- Half circle forcing pen
- 2 x access gates in the forcing pen
- 2 x sheeted race sections with funneled section to lead animals in
- Hoskin gate to lead animals around and gate can be reset by sliding along the nylon wheel
- 2 x access gates on the front of the system

SPECIFICATION

CODE	830-06
RRP	£6446.39
OVERALL LENGTH	10006mm
OVERALL WIDTH	4922mm
SHEEP CAPACITY	Approx. 60



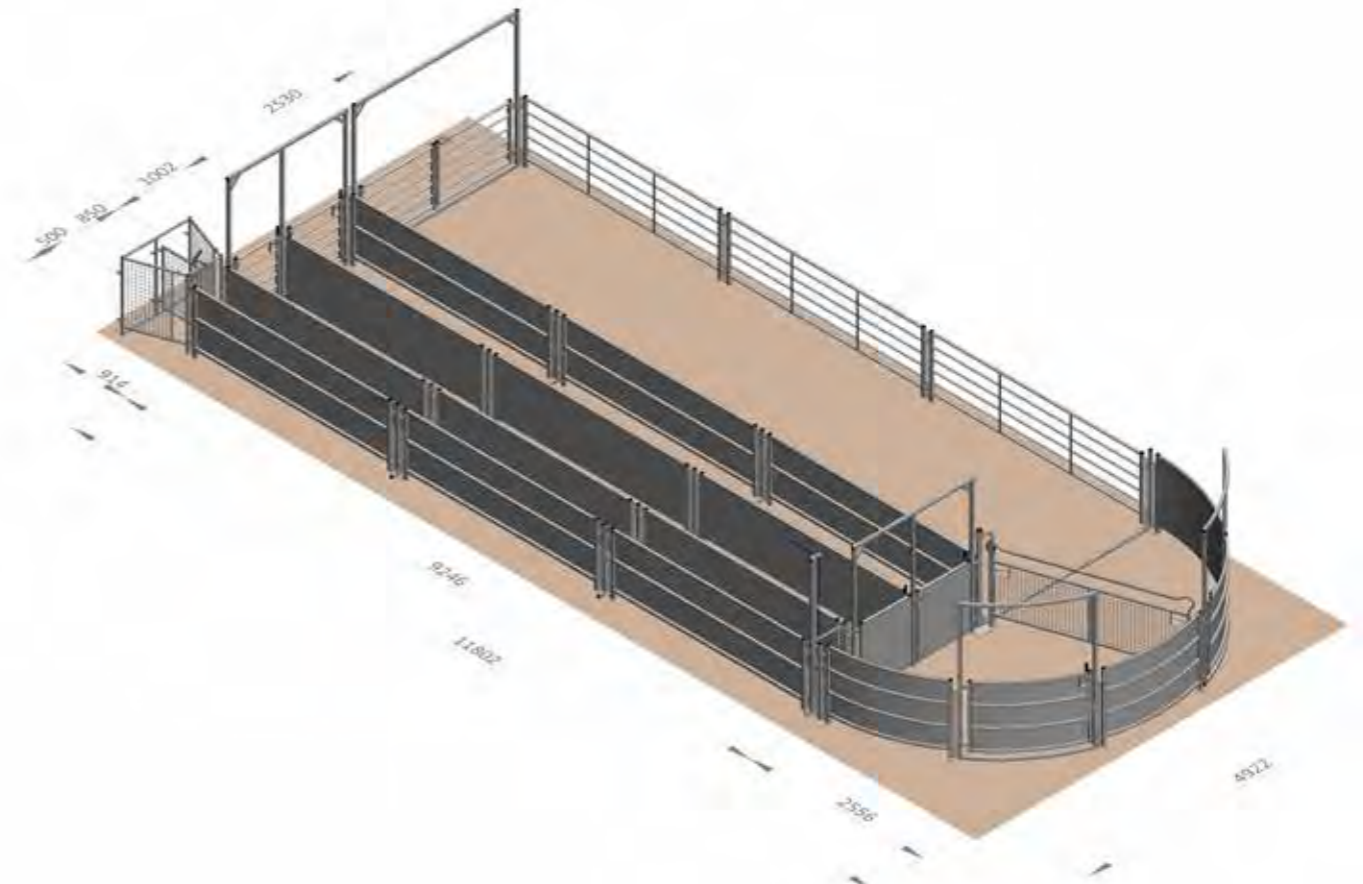
SHEEP SYSTEM D

This system is similar to System B, but with additional hurdles to increase the length of the race and collecting pen.

- Half circle forcing pen with two access gates
- 500mm wide race with guillotine gate at entrance and drafting gate at exit
- 2 x 1000mm wide drenching/personnel races

SPECIFICATION

CODE	830-08
RRP	£8298.10
OVERALL LENGTH	11802mm
OVERALL WIDTH	4952mm
SHEEP CAPACITY	Approx. 100



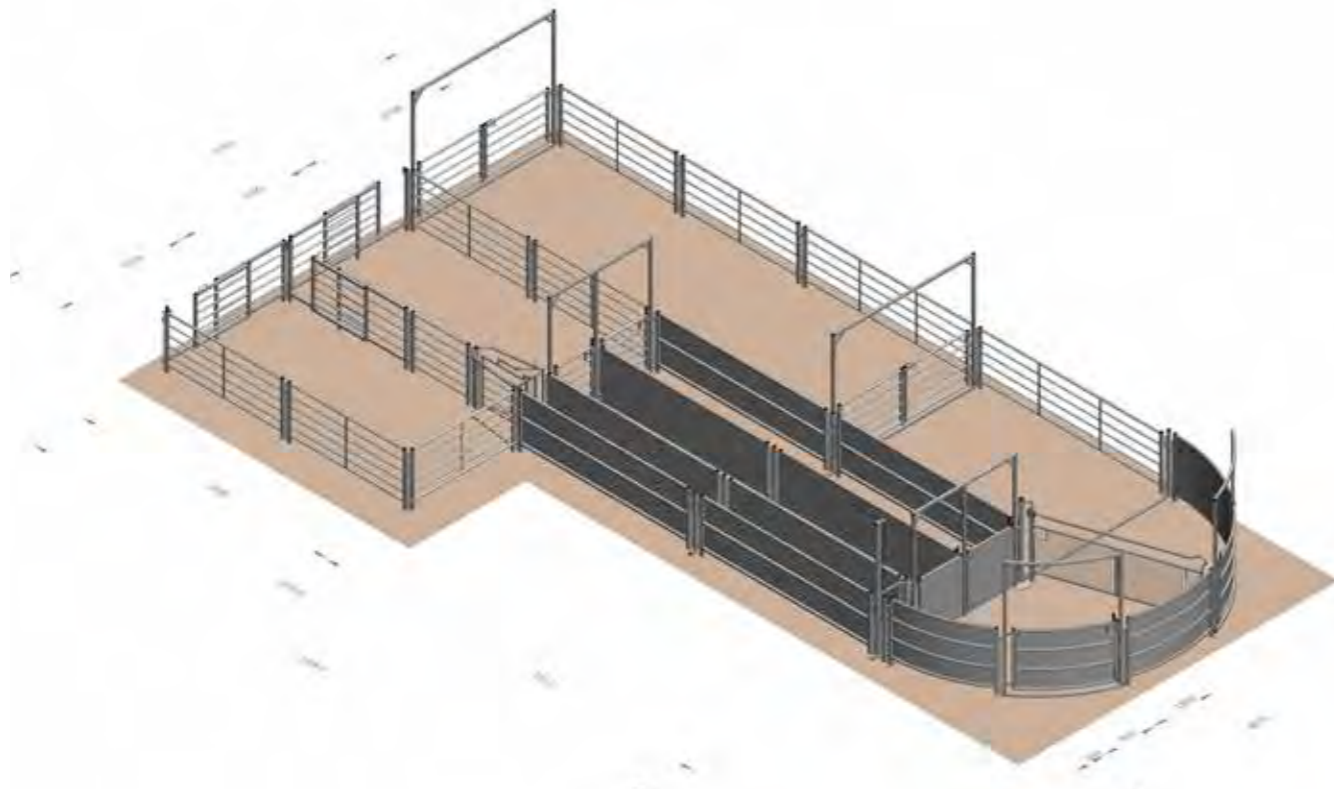
SHEEP SYSTEM E

This system has the added advantage of two drafting pens and larger collecting pens.

- Half circle forcing pen with two access gates
- 500mm wide race with guillotine gate at entrance and shedding gate at exit
- 2 x 1000mm wide drenching/personnel races
- Railed sliding hurdles in drafting pens

SPECIFICATION

CODE	830-09
RRP	£9171.86
OVERALL LENGTH	13067mm
OVERALL WIDTH	6730mm
SHEEP CAPACITY	Approx. 130



SHEEP FEEDING

- 116 / SHEEP FEED RINGS
- 117 / LAMB AND SHEEP FEEDERS
- 118 / SHEEP FEEDING TROUGHES
- 119 / BALE CRADLES
- 120 / WALK THROUGH FEEDERS
- 121 / SHEEP FEED TRAILERS
- 122 / SHEEP FEED BARRIERS



SHEEP FEED RINGS

All sheep rings are supplied with coupling rods as standard. Each version has a 250mm high welded sheet metal skirt.



STANDARD SHEEP RING

Vertical rail construction, our most basic and popular sheep feed ring.

CODE	SKIRT	HEIGHT	DIAMETER	RRP
860-02	250mm	915mm	1600mm	£192.00



860-02

HORNED SHEEP RING

Horizontal rail construction for horned animals.

CODE	SKIRT	HEIGHT	DIAMETER	RRP
860-04	250mm	915mm	1600mm	£192.00



860-04

DIAGONAL SHEEP RING

Diagonal rail construction for reduced wastage.

CODE	SKIRT	HEIGHT	DIAMETER	RRP
860-14	250mm	915mm	1600mm	£221.80



860-14

LAMB AND SHEEP FEEDERS

We offer a range of sheep feeding solutions. Below is a selection from our portable sheep feeding range. These feeders can be used just as easily inside as they can be used outside.



LAMB CREEP FEEDERS

The Bateman lamb creep feeder comes complete with an adjustable spring loaded ladder aperture and internal hopper. Available in two sizes with heavy duty wheels at one end and lifting handle/leg stand at the other.

CODE	SIZE	RRP
850-06-13	1250mm L	POA
850-06-25	2500mm L	£632.00



850-06-25

LAMB CREEP SHELTERS

Adjustable width apertures and an easy open hopper lid, the lamb creep shelters come complete with four heavy duty wheels and available in two sizes.

CODE	SIZE	RRP
850-01-1250	1250mm L	POA
850-01-2500	2500mm L	£792.00



850-01-2500

SHEEP HAYRACK AND MANGER

The Bateman sheep hayrack and manger comes complete with four heavy duty wheels for easy transportation. It also features an easy open lid with slide bolt fixings on one side.

CODE	SIZE	RRP
850-10-25	2500mm L x 500mm W	£448.00
850-10-30	3000mm L x 500mm W	POA



850-10-25

HOGG FEEDER

Our hogg feeder is a fully galvanised unit with forklift channels for easy transportation with an internally operated feed flow control plate. There is a central feed hopper capable of holding 450kg of feed combined with a weatherproof easy open lid and double canopy to protect feed on both sides from the elements. The feeder also features adjustable legs allowing feeding heights ranging from 280mm to 360mm.

CODE	SIZE	RRP
850-12-25	2500mm L x 1380mm D x 1060mm H	£1432.00



850-12-25

SHEEP FEEDING TROUGHS

Our range of troughs offer cost effective and portable feeding solutions. They can be used both indoor and outdoor.



HOOK OVER SHEEP TROUGHS

Perfect for hanging over gates and rails. Can also be used for calves. Made with 0.9mm galvanised sheet and has a central strap for extra strength.

CODE	SIZE	RRP
853-02-090	900mm L	£54.62
853-02-120	1200mm L	£68.27
853-02-180	1800mm L	£79.19
853-02-250	2500mm L	£87.39

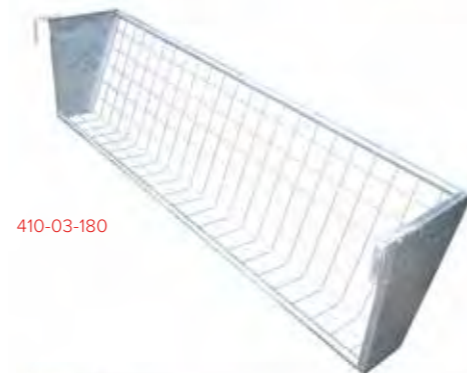


853-02-180

HOOK OVER SHEEP HAYRACKS

Can also be used for calves, easy access for feeding through the mesh and over the top rail.

CODE	SIZE	RRP
410-03-090	900mm L	£70.06
410-03-140	1400mm L	£78.86
410-03-180	1800mm L	£88.32



410-03-180

FLOOR FEEDING SHEEP TROUGH

Double cross strap for extra strength, balancing feet on each end to reduce tipping risk.

CODE	SIZE	RRP
851-01	2740mm L x 200mm D x 150mm H	£57.60



851-01

BALE CRADLES

Great options for bale feeding. The cradle keeps the bale above ground to minimise wastage. Roof panels available for extra protection from the elements.



BIG BALE CRADLE

Easy bolt together construction. Ideal for keeping bale elevated above the ground with a removable base panel for extra convenience.

CODE	SIZE	RRP
850-02	1500mm L x 1000mm D x 1500mm H	£400.00



850-02

BALE SAVER ROOF

The bale saver is a curved sheeted roof to suit new or existing bale cradles to protect the bales from the elements. The curved design of the panels fits snugly round the top of a bale offering great weather protection and minimising wastage. A chain fastening mechanism is included to prevent the roof blowing open.

CODE	RRP
850-02-01	£330.00



850-02 with 850-02-01

WALK THROUGH FEEDERS

Our sheep walk throughs provide a perfect solution for dividing pens whilst offering ease of feeding both sides.

The units come with a tapered bottom section acting as a manger to reduce wastage. The feeders can be upgraded with optional extras including hayrack units that sit on top of the walk through frame and allow pellets to be fed in the lower trough and hay in the top rack. There is also the option to add self-closing end gates which are spring loaded and strong enough to stop any lambs or hogs escaping.



SHEEP WALK THROUGH FEEDERS

CODE	ITEM	RRP
855-01-25	2500mm L double sided walk through feeder	£415.64
855-01-30	3000mm L double sided walk through feeder	£436.24
Special	2500mm L walk through c/w hayrack	£530.09
Special	3000mm L walk through c/w hayrack	£557.13
Special	Hayrack only to suit 2500mm L walk through	£120.48
Special	Hayrack only to suit 3000mm L walk through	£150.60



855-01-25



Hayrack option (special)

SHEEP FEED TRAILER

The Bateman sheep feed trailer offers a perfect solution for portable bulk feeding. With a length of 5000mm this unit offers 54 individual feeding spaces.

The unit is fully galvanized and is towable. It is fully equipped with a pick-up hitch and floatation tyres to reduce the trailer sinking on wet land. Feed wastage is minimised with a central ridged feed trough.



CODE	SIZE	RRP
850-25-50	5000mm L x 1430mm W x 1240mm H	£2724.69



FIXED DRAWBAR WITH PICK-UP HITCH AND REMOVABLE STAND



23 X 10.5 -12 5-STUD WHEELS ON 50MM STUB AXLES



WELDED STEEL CHASSIS AND TROUGH, FULLY GALVANIZED



TAPERED TROUGH SIDES WITH CENTRAL RIDGE

SHEEP FEED BARRIERS

We supply a range of sheep feed barriers as standard. They come in two different lengths and with or without an access gate. These barriers are horizontal rail and include timber skirting.

We make a number of specialist sheep feed panels which are available on request (see page 144).



SHEEP FEED PANELS

Horizontal rail sheep feed panels with eyes both ends.

CODE	ITEM	RRP
856-01-2900	2900mm L	£294.33
856-01-4420	4420mm L	£412.07
856-11-2900	2900mm L with gate	£389.99
856-11-4420	4420mm L with gate	£506.25



856-01-2900



856-01-4420



856-11-2900



856-11-4420

GATES

124 / FIELD GATES

126 / YARD GATES

128 / DEER GATES

130 / MULTI PURPOSE GATES

131 / POSTS

132 / GATE FURNITURE AND GROUND SOCKETS



▶ VIEW PRODUCT VIDEO



FIELD GATES

These are gates used typically in scenarios where they do not come under a lot of strain from animals. We offer three types of standard field gate all with different features to suit your requirements.

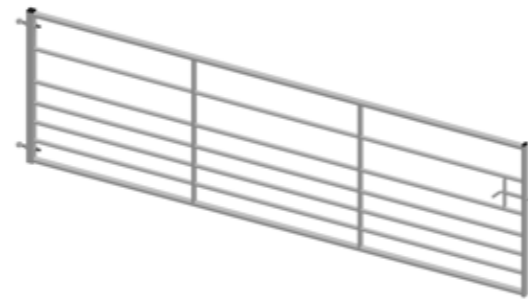


ASHCOMBE GATE

Our most economical gate, these gates feature seven bars and stand at 1145mm high. The Ashcombe comes complete with box section bracing which is welded into the gates for increased strength and rigidity. Box hang stiles, spring bolt fixing and sleeved 19mm eyes.

HANG STILE 50mm x 50mm RHS
SLAM STILE 50mm x 25mm RHS
HORIZONTALS Top and bottom 42.6mm OD x 1.5mm tube
INTERMEDIATES 28.6mm x 1.2mm tube

CODE	SIZE	RRP
ASH-03-01	915mm L x 1145mm H	£65.56
ASH-04-01	1220mm L x 1145mm H	£77.98
ASH-05-01	1525mm L x 1145mm H	£84.13
ASH-06-01	1830mm L x 1145mm H	£90.27
ASH-07-01	2135mm L x 1145mm H	£96.41
ASH-08-01	2440mm L x 1145mm H	£110.07
ASH-09-01	2745mm L x 1145mm H	£112.41



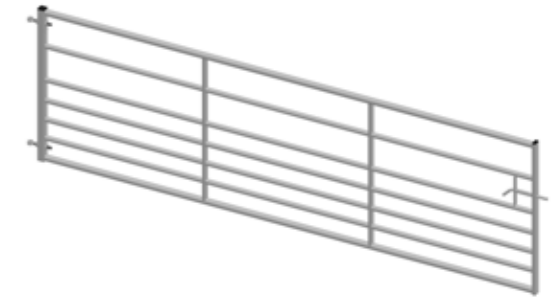
CODE	SIZE	RRP
ASH-10-01	3050mm L x 1145mm H	£108.95
ASH-11-01	3355mm L x 1145mm H	£128.20
ASH-12-01	3660mm L x 1145mm H	£122.22
ASH-13-01	3960mm L x 1145mm H	£147.69
ASH-14-01	4265mm L x 1145mm H	£145.60
ASH-15-01	4575mm L x 1145mm H	£146.96
ASH-16-01	4875mm L x 1145mm H	£166.10

CENTURY GATE

Our heavier version field gate, these gates feature seven bars and stand at 1145mm high. The Century comes complete with box section bracing which is welded into the gates for increased strength and rigidity. Box hang stiles, spring bolt fixing and sleeved 19mm eyes.

HANG STILE 50mm x 50mm RHS
SLAM STILE 50mm x 25mm RHS
HORIZONTALS Top and bottom 44.5mm OD x 1.5mm tube
INTERMEDIATES 35mm x 1.2mm tube

CODE	SIZE	RRP
CEN-03-01	915mm L x 1145mm H	£72.36
CEN-04-01	1220mm L x 1145mm H	£87.81
CEN-05-01	1525mm L x 1145mm H	£95.47
CEN-06-01	1830mm L x 1145mm H	£103.07
CEN-07-01	2135mm L x 1145mm H	£110.70
CEN-08-01	2440mm L x 1145mm H	£125.18
CEN-09-01	2745mm L x 1145mm H	£133.88



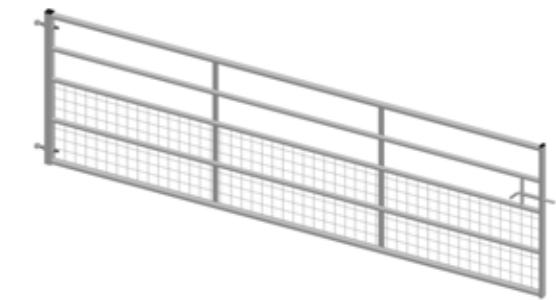
CODE	SIZE	RRP
CEN-10-01	3050mm L x 1145mm H	£140.34
CEN-11-01	3355mm L x 1145mm H	£151.87
CEN-12-01	3660mm L x 1145mm H	£157.21
CEN-13-01	3960mm L x 1145mm H	£175.74
CEN-14-01	4265mm L x 1145mm H	£178.71
CEN-15-01	4575mm L x 1145mm H	£180.53
CEN-16-01	4875mm L x 1145mm H	£202.29

HALF MESHED GATE

Our half-meshed gate gives the user some great versatility in usage, perfect for lambing/sheep penning or in fields as the mesh removes the risk of escape. Five rail gate with a height of 1145mm and 19mm sleeved eyes.

HANG STILE 50mm x 50mm RHS
SLAM STILE 50mm x 25mm RHS
HORIZONTALS Top and bottom 44.5mm OD x 1.5mm tube
INTERMEDIATES 35mm x 1.2mm tube
MESH SIZE 75mm x 75mm x 4mm

CODE	SIZE	RRP
HMG-03-01	915mm L x 1145mm H	£83.57
HMG-04-01	1220mm L x 1145mm H	£99.12
HMG-05-01	1525mm L x 1145mm H	£104.47
HMG-06-01	1830mm L x 1145mm H	£119.52
HMG-07-01	2135mm L x 1145mm H	£124.30
HMG-08-01	2440mm L x 1145mm H	£132.34
HMG-09-01	2745mm L x 1145mm H	£139.02



CODE	SIZE	RRP
HMG-10-01	3050mm L x 1145mm H	£140.65
HMG-11-01	3355mm L x 1145mm H	£149.74
HMG-12-01	3660mm L x 1145mm H	£158.06
HMG-13-01	3960mm L x 1145mm H	£173.85
HMG-14-01	4265mm L x 1145mm H	£184.82
HMG-15-01	4575mm L x 1145mm H	£192.87
HMG-16-01	4875mm L x 1145mm H	£206.27

YARD GATES

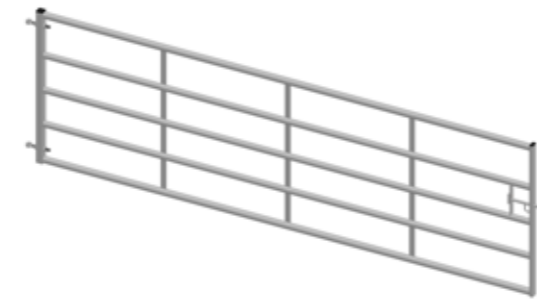
These are gates used typically in scenarios where they section off yards or pens. They are heavy duty in construction with housing of animals in mind.



CATTLEYARD GATE

Our most economical yard gate, heavy duty but very affordable with flat strap bracing. These gates have a five-rail construction and are 1145mm high. They have 19mm sleeved eyes and a heavy duty pendulum slide bolt.

- HANG STILE** 50mm x 50mm RHS
- SLAM STILE** 50mm x 25mm RHS
- HORIZONTALS** Top and bottom 47.6mm OD x 2mm tube
- INTERMEDIATES** 44.5mm OD x 1.5mm tube
- BRACING** 40mm x 4mm flat



CODE	SIZE	RRP
CAT-03-03	915mm L x 1145mm H	£92.37
CAT-04-03	1220mm L x 1145mm H	£103.25
CAT-05-03	1525mm L x 1145mm H	£122.28
CAT-06-03	1830mm L x 1145mm H	£126.73
CAT-07-03	2135mm L x 1145mm H	£136.84
CAT-08-03	2440mm L x 1145mm H	£151.71
CAT-09-03	2745mm L x 1145mm H	£165.75

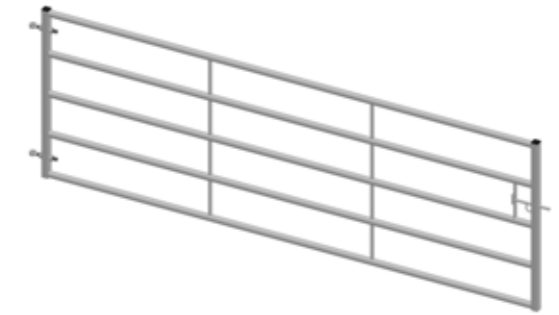
CODE	SIZE	RRP
CAT-10-03	3050mm L x 1145mm H	£165.44
CAT-11-03	3355mm L x 1145mm H	£182.05
CAT-12-03	3660mm L x 1145mm H	£187.32
CAT-13-03	3960mm L x 1145mm H	£201.88
CAT-14-03	4265mm L x 1145mm H	£220.08
CAT-15-03	4575mm L x 1145mm H	£222.07
CAT-16-03	4875mm L x 1145mm H	£239.10

HEAVY STOCKYARD GATE

Our heaviest version yard gate, these gates feature five bars and stand at 1270mm high. The Heavy Stockyard comes complete with tube infill bracing which is welded into the gates for increased strength and rigidity. Box hang stiles, spring bolt fixing and sleeved 25mm eyes.

- HANG STILE** 50mm x 50mm RHS
- SLAM STILE** 50mm x 50mm RHS
- HORIZONTALS** Top and bottom 48mm OD x 2.5mm tube
- INTERMEDIATES** 48.3mm OD x 2.5mm tube
- TUBE INFILL** 25mm OD tube

CODE	SIZE	RRP
HSY-03-03	915mm L x 1270mm H	£125.35
HSY-04-03	1220mm L x 1270mm H	£146.44
HSY-05-03	1525mm L x 1270mm H	£157.68
HSY-06-03	1830mm L x 1270mm H	£180.02
HSY-07-03	2135mm L x 1270mm H	£194.34
HSY-08-03	2440mm L x 1270mm H	£210.24
HSY-09-03	2745mm L x 1270mm H	£219.44



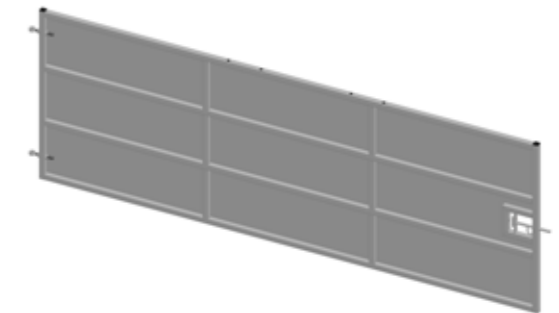
CODE	SIZE	RRP
HSY-10-03	3050mm L x 1270mm H	£239.15
HSY-11-03	3355mm L x 1270mm H	£266.74
HSY-12-03	3660mm L x 1270mm H	£278.57
HSY-13-03	3960mm L x 1270mm H	£295.65
HSY-14-03	4265mm L x 1270mm H	£309.58
HSY-4450-03	4450mm L x 1270mm H	£315.36
HSY-15-03	4575mm L x 1270mm H	£315.36
HSY-16-03	4875mm L x 1270mm H	£337.70

ANY HAND SHEETED GATE

Our any hand sheeted gate gives the user some great versatility in usage, perfect for shed entrance/exits with the adaptability to be hung on either side. Four rail box section sheeted gate standing at 1270mm high. Includes sleeved 19mm hinge eyes and pendulum sliding bolt.

- HANG STILE** 40mm x 40mm RHS
- SLAM STILE** 40mm x 40mm RHS
- HORIZONTALS** 40mm x 40mm x 2mm RHS
- INTERMEDIATES** 40mm x 40mm x 2mm RHS
- GALVANISED SHEET** 0.9mm

CODE	SIZE	RRP
SHE-03-03	915mm L x 1270mm H	£239.22
SHE-04-03	1220mm L x 1270mm H	£252.06
SHE-05-03	1525mm L x 1270mm H	£254.97
SHE-06-03	1830mm L x 1270mm H	£303.21
SHE-07-03	2135mm L x 1270mm H	£333.70
SHE-08-03	2440mm L x 1270mm H	£349.45
SHE-09-03	2745mm L x 1270mm H	£381.31



CODE	SIZE	RRP
SHE-10-03	3050mm L x 1270mm H	£397.10
SHE-11-03	3355mm L x 1270mm H	£428.62
SHE-12-03	3660mm L x 1270mm H	£444.38
SHE-13-03	3960mm L x 1270mm H	£507.43
SHE-14-03	4265mm L x 1270mm H	£554.75
SHE-15-03	4575mm L x 1270mm H	£630.39
SHE-16-03	4875mm L x 1270mm H	£664.41

DEER GATES

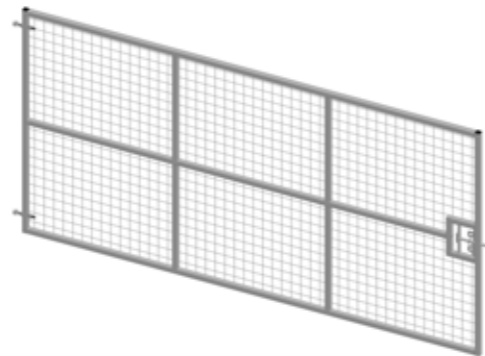
These gates can be used to provide access to paddocks for deer or similar animals and provide a secure entrance gate in perimeter fencing.



FULLY MESHED DEER GATE

Our deer gates are fully meshed 1840mm high and are complete with a padlockable slide bolt and 19mm sleeved hinge eyes. They can also be used as a medium weight security gate or various fencing situations due to their height.

- HANG STILE 40mm x 40mm RHS
- SLAM STILE 40mm x 40mm RHS
- HORIZONTALS Top and bottom 40 X 40 X 2.0 RHS
- INTERMEDIATES 40mm x 40mm x 2mm RHS
- GALVANISED SHEET 76mm x 76mm



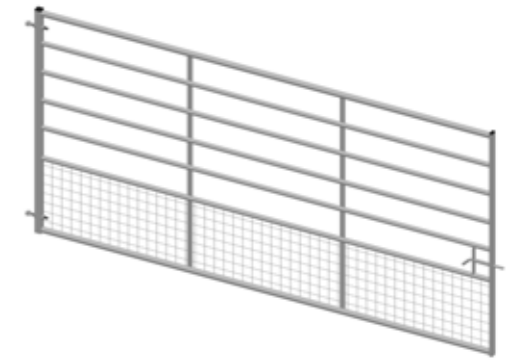
CODE	SIZE	RRP
375-184-03	900mm L x 1840mm H	£208.82
375-184-04	1210mm x 1840mm H	£232.05
375-184-05	1535mm x 1840mm H	£256.80
375-184-06	1820mm x 1840mm H	£287.75
375-184-07	2145mm x 1840mm H	£318.71
375-184-08	2450mm x 1840mm H	£321.71
375-184-09	2755mm x 1840mm H	£324.91

CODE	SIZE	RRP
375-184-10	3060mm x 1840mm H	£377.49
375-184-11	3360mm x 1840mm H	£382.74
375-184-12	3670mm x 1840mm H	£395.88
375-184-13	3970mm x 1840mm H	£441.87
375-184-14	4260mm x 1840mm H	£460.27
375-184-15	4575mm x 1840mm H	£491.80
375-184-16	4865mm x 1840mm H	£519.40

PART MESHED DEER GATE

Our Part-Meshed Deer Gates are 1830 high and have 7-rails with the lower section clad with 610mm panel of 76mm x 76mm mesh. They are manufactured with a spring-loaded sliding bolt and 19mm sleeved hinge eyes.

- HANG STILE 50mm x 50mm RHS
- SLAM STILE 50mm x 25mm RHS
- HORIZONTALS Top and bottom 44.5mm OD x 1.5mm tube
- INTERMEDIATES 35mm OD x 1.2mm tube
- TUBE INFILL 76mm x 76mm



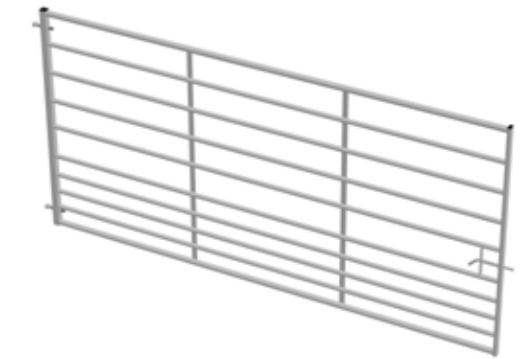
CODE	SIZE	RRP
376-184-03	915mm L x 1830mm H	£181.70
376-184-04	1220mm L x 1830mm H	£200.10
376-184-05	1525mm L x 1830mm H	£227.69
376-184-06	1830mm L x 1830mm H	£238.20
376-184-07	2135mm L x 1830mm H	£272.24
376-184-08	2440mm L x 1830mm H	£287.74
376-184-09	2745mm L x 1830mm H	£303.25

CODE	SIZE	RRP
376-184-10	3050mm L x 1830mm H	£327.56
376-184-11	3355mm L x 1830mm H	£336.75
376-184-12	3660mm L x 1830mm H	£345.95
376-184-13	3960mm L x 1830mm H	£377.49
376-184-14	4265mm L x 1830mm H	£411.65
376-184-15	4575mm L x 1830mm H	£426.10
376-184-16	4875mm L x 1830mm H	£457.64

10 RAIL DEER GATE

This gate offers a cost-effective alternative to our meshed deer gates. The gate is 1830 high and is manufactured with flat vertical bracing, a spring-loaded sliding bolt and 19mm sleeved hinge eyes.

- HANG STILE 50 x 50 RHS
- SLAM STILE 50 x 25 RHS
- HORIZONTALS Top and bottom 44.5mm OD x 1.5mm tube
- INTERMEDIATES 35.0mm OD x 1.2mm tube
- BRACING 40mm x 4mm flat



CODE	SIZE	RRP
Special	915mm L x 1830mm H	£160.77
Special	1220mm L x 1830mm H	£170.24
Special	1525mm L x 1830mm H	£183.02
Special	1830mm L x 1830mm H	£195.50
Special	2135mm L x 1830mm H	£209.98
Special	2440mm L x 1830mm H	£242.80
Special	2745mm L x 1830mm H	£245.97

CODE	SIZE	RRP
Special	3050mm L x 1830mm H	£249.12
Special	3355mm L x 1830mm H	£261.72
Special	3660mm L x 1830mm H	£274.34
Special	3960mm L x 1830mm H	£296.45
Special	4265mm L x 1830mm H	£324.85
Special	4575mm L x 1830mm H	£337.45
Special	4875mm L x 1830mm H	£359.55

MULTI PURPOSE GATES

These gates can be used in various situations making them extremely useful to have.



PREMIER GATE

Our premier gates are eight rails in construction, 1525mm high and come with 19mm sleeved eyes and a spring bolt. Can be used for both cattle and sheep due to the close proximity of the bottom rails. Double strap bracing is included for extra strength.

HANG STILE	50 x 50 RHS
SLAM STILE	50 x 25 RHS
HORIZONTALS	Top & Bottom 42.4mm OD x 1.5 Tube
INTERMEDIATES	42.4 OD x 1.5 Tube
BRACING	40 x 4mm flat

CODE	SIZE	RRP
PR8-03-01	915mm L x 1525mm H	£161.50
PR8-04-01	1220mm L x 1525mm H	£171.11
PR8-05-01	1525mm L x 1525mm H	£177.50
PR8-06-01	1830mm L x 1525mm H	£187.10
PR8-07-01	2135mm L x 1525mm H	£201.49
PR8-08-01	2440mm L x 1525mm H	£212.68
PR8-09-01	2745mm L x 1525mm H	£239.07

CODE	SIZE	RRP
PR8-10-01	3050mm L x 1525mm H	£249.46
PR8-11-01	3355mm L x 1525mm H	£260.66
PR8-12-01	3660mm L x 1525mm H	£289.44
PR8-13-01	3960mm L x 1525mm H	£300.64
PR8-14-01	4265mm L x 1525mm H	£311.83
PR8-15-01	4575mm L x 1525mm H	£326.22
PR8-16-01	4875mm L x 1525mm H	£339.02

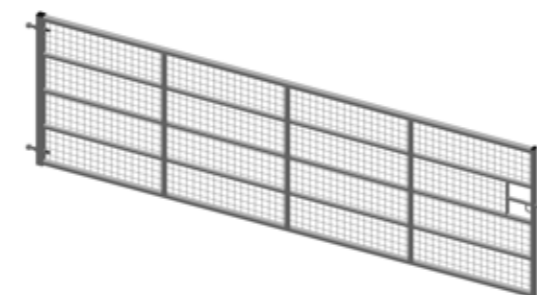
FULLY MESHED GATE

Our fully meshed gate is ideal for use with varying types of animal. The gate is supplied with a sleeved hanging stile, 19mm huge eyes and collar-type spring bolt.

HANG STILE	50mm x 50mm x 2.5mm SHS
SLAM STILE	50mm x 25mm x 1.5mm RHS
HORIZONTALS	44.5mm OD x 1.5mm tube
INTERMEDIATES	35mm OD x 1.2mm tube
MESH SIZE	50mm x 50mm x 3.2mm SWG Mesh

CODE	SIZE	RRP
FMG-03-01	915mm L x 1145mm H	£124.46
FMG-04-01	1220mm L x 1145mm H	£143.00
FMG-05-01	1525mm L x 1145mm H	£156.25
FMG-06-01	1830mm L x 1145mm H	£174.76
FMG-07-01	2135mm L x 1145mm H	£193.31
FMG-08-01	2440mm L x 1145mm H	£201.04
FMG-09-01	2745mm L x 1145mm H	£224.69

CODE	SIZE	RRP
FMG-10-01	3050mm L x 1145mm H	£229.95
FMG-11-01	3355mm L x 1145mm H	£235.20
FMG-12-01	3660mm L x 1145mm H	£250.97
FMG-13-01	3960mm L x 1145mm H	£274.62
FMG-14-01	4265mm L x 1145mm H	£278.04
FMG-15-01	4575mm L x 1145mm H	£304.53
FMG-16-01	4875mm L x 1145mm H	£309.80



GATE POSTS

We provide a range of gate posts, round and square, to suit every scenario where gates are to be hung or received. We also offer a range of bespoke posts which are priced on request.

Standard post length is 2000mm and we recommend 610mm to be fixed into the ground. Our posts come complete with 19mm hinge hooks to suit 19mm gate eyes as standard.



CODE	SIZES	RRP
900-01-089	89mm hang post	£49.60
900-11-089	89mm slam post	£45.60
900-31-089	89mm auto latch	£55.06
900-01-114	114mm hang post	£70.08
900-11-114	114mm slam post	£56.45
900-31-114	114mm auto latch	£77.59
900-22-114	114mm dual hang at 180 degrees	£104.56
900-23-114	114mm dual slam at 180 degrees	£82.59
900-01-139	139mm hang post	£111.38
900-11-139	139mm slam post	£111.38
900-02-100	100 x 100mm hang post	£86.40
900-12-100	100 x 100mm slam post	£80.00
900-22-100	100 x 100mm dual hang post at 180 degrees	£114.38
900-23-100	100 x 100mm slam post at 180 degrees	£94.73
900-24-100	100 x 100mm hang post at 90 degrees	£114.38
900-02-120	120 x 120mm hang post	£124.14
900-12-120	120 x 120mm slam post	£108.12
Special	150 x 150mm hang post	£150.17
Special	150 x 150mm slam post	£137.66
375-001-114	2610mm long 114mm hang post to suit deer gate	£129.44
375-012-114	2610mm long 114mm slam post to suit deer gate	£120.99



GATE FURNITURE AND GROUND SOCKETS

Our steel ground sockets are all supplied with lids to cover when not in use. They are 610mm deep as standard although special sizes can be priced on request. Available in round and square to suit our standard post range.

The ground sockets offer a neat solution for semi-permanent post set ups.



GATE FURNITURE

CODE	ITEM	RRP
950-19-01	Pair 19mm hinge hooks on vertical plate	£24.56
950-19-02	Pair 19mm hinge hooks on square plate	£28.82
950-19-06	Pair of 19mm hinge hooks on continuous plate	£49.06
950-19-05	Pair of 19mm hinge hooks to drive in	£20.18
950-19-08	Pair of 19mm hinge hooks to weld	£18.78
950-19-03	Pair of 19mm hinge hooks on screwed shanks	£31.80
950-25-01	Pair of 25mm hooks on vertical plate	£37.55
Special	19mm on clamp plates c/w lindaptors	£92.45
Special	25mm on clamp plates c/w lindaptors	£104.02
950-00-01	Heavy duty drop over frame	£47.54
950-00-02	Light weight drop over frame	£28.25
950-00-03	Bolt on drop Bolt	£27.27
950-00-04	Hook and chain fastener	£13.63
950-00-05	D-Latch socket	£13.63
950-00-06	Loop bolt receiver	£13.19
950-00-13	Bolt on D-Loop	£12.25
018-20-120	19mm x 120mm hinge eye	£1.93
018-20-150	19mm x 150mm hinge eye	£3.85
018-24-180	25mm x 180mm hinge eye	£9.63

GROUND SOCKETS FOR POSTS

CODE	SIZE	RRP
905-076-600	76mm socket	£36.40
905-089-600	89mm socket	£39.43
905-114-600	114mm socket	£45.49
905-139-600	139mm socket	£57.63
906-080-600	80 x 80 RHS socket	£42.47
906-100-600	100 x 100mm RHS socket	£45.49
906-120-600	120 x 120mm RHS socket	£54.61



WATER TROUGHS

134 / STANDARD WATER TROUGHS

136 / MEDIUM AND LARGE WATER TROUGHS

137 / TIPPING WATER TROUGHS

138 / SWIVEL WATER TROUGHS



STANDARD WATER TROUGHS

We provide a range of standard water troughs which all have the same width and depth.

These have variations in service box orientation to give flexibility.

Includes drain plug.



STANDARD WATER TROUGHS WITH NO SERVICE BOX

Our basic unit with no service box included.
435mm wide x 410mm high

CODE	SIZE	CAPACITY	RRP
610-01-02	625mm L x 435mm W x 410mm H	98 litres	£83.97
610-01-03	900mm L x 435mm W x 410mm H	148 litres	£97.60
610-01-04	1250mm L x 435mm W x 410mm H	198 litres	£122.24
610-01-05	1500mm L x 435mm W x 410mm H	247 litres	£143.16
610-01-06	1800mm L x 435mm W x 410mm H	297 litres	£154.23
610-01-08	2500mm L x 435mm W x 410mm H	395 litres	£204.01
610-01-10	3000mm L x 435mm W x 410mm H	495 litres	£256.32



610-01-06

SERVICE BOXES AND BALL VALVE KITS

Perfect to fit to our standard water troughs.

CODE	ITEM	RRP
610-50-01	To clamp to 435mm trough	£33.26
610-50-02	½" ball valve with float	£24.32
610-50-03	¾" ball valve with float	£50.53



610-50-01

STANDARD WATER TROUGHS WITH WELDED END BOX

Welded in end service box can be accessed from either side making them any handed.
435mm wide x 410mm high

CODE	SIZE	CAPACITY	RRP
610-02-02	625mm L x 435mm W x 410mm H	98 litres	£150.04
610-02-03	900mm L x 435mm W x 410mm H	148 litres	£170.97
610-02-04	1250mm L x 435mm W x 410mm H	198 litres	£191.62
610-02-05	1500mm L x 435mm W x 410mm H	247 litres	£209.37
610-02-06	1800mm L x 435mm W x 410mm H	297 litres	£220.52
610-02-08	2500mm L x 435mm W x 410mm H	395 litres	£281.09
610-02-10	3000mm L x 435mm W x 410mm H	495 litres	£318.26



610-02-06

STANDARD WATER TROUGHS WITH WELDED CENTRE BOX

Ideal solution for divided to two pens with one trough.
435mm wide x 410mm high

CODE	SIZE	CAPACITY	RRP
610-03-04	1250mm L x 435mm W x 410mm H	198 litres	£355.43
610-03-06	1800mm L x 435mm W x 410mm H	297 litres	£377.45



610-03-06

MEDIUM AND LARGE WATER TROUGHS

Our medium and large water trough range gives users the opportunity to have much larger capacity troughs with varying widths and lengths to choose from.

Includes drain plug.



MEDIUM SIZED WATER TROUGHS WITH WELDED END BOX

Great for larger pens and come complete with welded end service box. 610mm wide x 610mm high

CODE	SIZE	CAPACITY	RRP
610-12-04	1250mm L x 610mm W x 610mm H	426 litres	£304.49
610-12-06	1800mm L x 610mm W x 610mm H	613 litres	£405.67
610-12-08	2500mm L x 610mm W x 610mm H	852 litres	£488.40
610-12-10	3000mm L x 610mm W x 610mm H	1023 litres	£553.65



610-12-06

LARGE SIZED WATER TROUGHS

Our biggest range of troughs with huge capacity. 1200mm wide x 610mm high

CODE	SIZE	CAPACITY	RRP
610-22-06	1800mm L x 1200mm W x 610mm H	1227 litres	£615.60
610-22-08	2500mm L x 1200mm W x 610mm H	1705 litres	£718.56
610-22-10	3000mm L x 1200mm W x 610mm H	2045 litres	£786.02
610-22-12	3750mm L x 1200mm W x 610mm H	2555 litres	£816.30

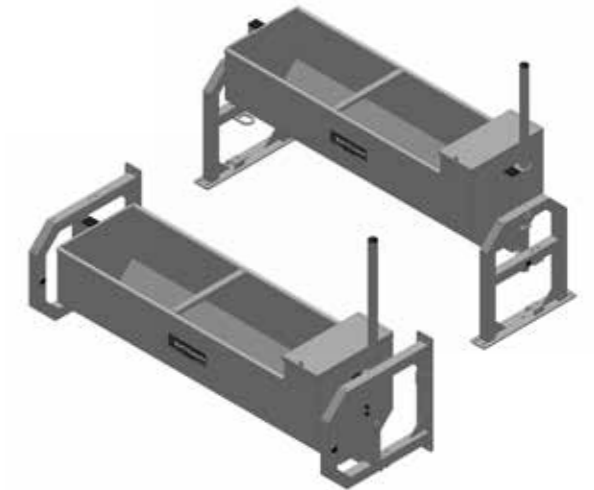


610-22-08

TIPPING WATER TROUGHS

Our tipping troughs provide a quick and easy "stay clean" hydration system for housed cattle. Tipping troughs are often used in cubicle buildings where large volumes of water are required. Bolt to wall or floor. Supplied with Tricoflex hose and ball valve assembly as standard.

CODE	SIZE/ITEM	CAPACITY	TROUGH MATERIAL	RRP
610-70-20	2000mm L	320 litres	Galvanised steel	£661.99
610-70-30	3000mm L	505 litres	Galvanised steel	£751.60
610-72-20	2000mm L	320 litres	Stainless steel	£1105.60
610-72-30	3000mm L	505 litres	Stainless steel	£1200.36
610-50-20	Fittings kit			£79.44



TRICOFLEX HOSE AND 1/2" BALL VALVE



TIPPING/LOCKING TUBE LEVER



BOLT TO WALL

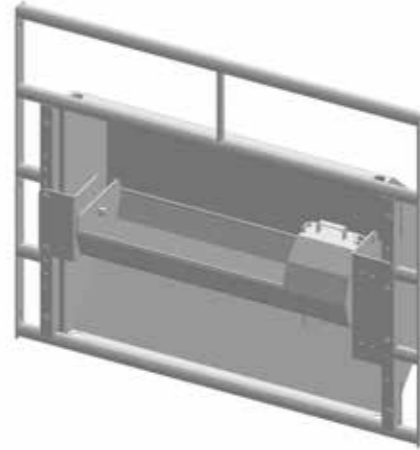


FULL LENGTH OF TROUGH TIPS WITHIN THE STAND

SWIVEL WATER TROUGHS

These troughs are held rigid in a panel allowing water to be drunk from either side or can be shielded with a metal shroud to make the animals drink from a scrape passage. A strong robust trough with multiple uses.

CODE	SIZE	CAPACITY	RRP
610-61-05	500mm L	12.1 litres	£407.46
610-61-07	750mm L	18.2 litres	£452.75
610-61-10	1000mm L	24.3 litres	£553.38



CAN BE FIXED INTO A RAILED PANEL



CAN BE MADE WITH SHEETED HOUSING



SUPPLIED WITH BALL VALVE



CAN SPLIT BETWEEN TWO PENNING AREAS

DOG PENNING

140 / DOG PENNING RUNS



DOG PENNING RUNS

We now offer a new dog penning range, quick to construct and finished to a very high standard. Our standard pens have rail spacing of 50mm making these a great option for all sizes of dog.

Available in two sizes and with door or without, fully welded and galvanised for great rigidity.

All panels are 1800mm high.

VERTICAL RAIL DOG PEN PANELS

CODE	SIZE	RRP
330-01-18-15	1500mm L x 1800mm H	£124.00
330-02-18-15	1500mm L x 1800mm H with door	£160.18
330-01-18-20	2000mm L x 1800mm H	£152.00
330-02-18-20	2000mm L x 1800mm H with door	£180.20

FIXING BRACKETS

330-20-01	Floor fixing bracket	£10.01
330-21-01	Ceiling fixing bracket	£14.02



WELDED CROSS BAR FOR STRENGTH



50MM BAR WIDTH TO HOUSE EVEN THE SMALLEST OF DOGS



FULL LENGTH ACCESS DOOR



EASY AND SOLID CONSTRUCTION

MADE TO MEASURE

- 144 / BESPOKE FEEDING SYSTEMS
- 1146 / HEAVY DUTY SHEETED DOORS
- 147 / BESPOKE HANDLING SYSTEMS
- 148 / AI STALLS
- 149 / PIG EQUIPMENT
- 150 / SPECIALIST PROJECTS





MADE TO MEASURE

We have been offering our unique 'Made to Measure' service to customers and dealers for over 40 years. Our focus has always been from start to finish to listen to our customers' needs and to satisfy their requirements with quality products with our 'one stop' service. We take on jobs of any depth and complexity.

From the initial appointment our trained Sales Representatives will arrange to either discuss your individual needs and projects on the telephone or on site. They will design a whole new bespoke system or one to run alongside an existing one, we can also cover some pet projects too. Our Sales Representatives are all fully equipped with everything that is needed to design and create and we'll work with you to achieve your goal and vision.

Following this they then return to Head Office and portray to our Design Engineers all relevant information and measurements so a fully detailed drawing can be produced. Our Drawing Office technicians use both SolidWorks and AutoCAD software to design made to measure jobs of any size.

All this results in a smooth operation to deliver to your door a heavy duty and complete system manufactured from our main site in the heart of The Staffordshire Moorlands.

Whatever your livestock consists of or whatever your livestock requirements are, Bateman's will find an answer, and more importantly a solution.



MAKE AN ENQUIRY

For more information you can contact our sales team via phone, message or email.

All contact details can be found in the front cover of this catalogue.



▶ SEE MORE ABOUT OUR
MADE TO MEASURE SERVICE



BESPOKE FEEDING SYSTEMS

Bateman designs and supplies bespoke feeding systems for all livestock, whether it is variations of our standard product range or something completely unique to suit your needs. Below are some examples of the specialist feed systems we can supply.

HORIZONTAL RAIL CATTLE FEED BARRIERS

These barriers can be made with or without a timber base, as fixed panel or as a hinged gate in any length you require.

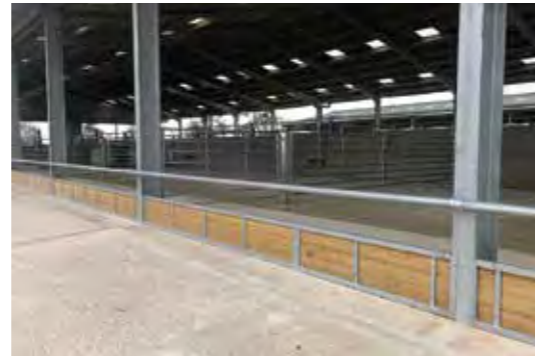
This kind of barrier can be used with all ages of animals with young stock you just need to bring the feed rail height down. With larger animals just increase to the desired height or remove completely.

Whilst the lack of an individual feed space could increase the chance of animals pushing each other off the feed it will reduce tag loss.



SINGLE RAIL FEED SYSTEMS

The most cost-effective way of creating a feed system. A single feed rail is usually mounted onto existing RSJ's by u-bolts. This can be evolved into using a feed rail with an anti-jump rail above it to prevent beef cattle jumping out. The other option is to mount the rail via a collar bracket. The feed rail slides inside a collar which is "pinched" onto the RSJ's via lindapters – this allows infinite adjustment of the feed rail. The other advantage with the collar system is that you can extend the collars pushing the feed rail further away from the RSJ. This gives the animal's greater reach whilst feeding and reduces sores created from neck rubbing/pressure.



TOMBSTONE CATTLE FEED BARRIERS

Originally designed to be used by longhorn cattle, these can also be used by any horned cattle breeds, tall cattle, bulls or horses.

Available with or without timber skirt, these units are also available in fixed panels or hinged gate units.



DUAL SWINGING CATTLE 2 IN 1 UNITS

These feed systems are a feed barrier that is supplied with a hook-on feed trough. They come in various different styles and sizes to suit your requirements. They are designed with the reduction of waste in mind. Troughs can also be supplied in timber versions.



PUSH THROUGH TROUGHS

This unique design allows the trough to be filled from outside the pen and then pushed through into the pen for the animals to feed from the inside. Used where safety or contamination restrictions are in place. Why would you go into a pen with a bull if you didn't have to? Supplied with locking handle to prevent animals pushing trough back through.

These troughs are built into a heavy duty sheeted door. This is to reduce low level draft and bad weather blowing into the pen making these units ideal for calving pens and deer set ups.



DIAGONAL CATTLE FEED FENCE WITH LIFT-UP SKIRT FOR SHEEP

A specially manufactured barrier with a lift up skirt, which is raised and locked in place when being used for sheep or lowered and locked in when being used for cattle. A truly universal barrier these units can be made at any length to fit your requirements and are available as a fixed panel or hinged gate unit.



SHEEP FEED BARRIER WITH DROP-DOWN RAIL

These special sheep feed barriers have a single horizontal rail which can be easily released and hinged down to prevent lambs escaping whilst ewes and lambs are housed indoors.



HEAVY DUTY SHEETED DOORS

Heavy duty sheeted doors are a special item, and as such can be made in a variety of different lengths and sizes – please call with your specification for a quote. We will advise before quoting if your door is too big (for health and safety reasons) and if it needs to be made in sections and bolted together on site.

All fully sheeted doors are supplied with bolt on top lifting brackets to allow safe lifting on and off our wagon for use on-site when lifting into place.



BESPOKE HANDLING SYSTEMS

We offer a free no obligation design service for all handling systems. We have an extensive back catalogue of successful systems that we can show you for guidance or start completely from fresh.

Whether it's for cattle, sheep or any other livestock we can design anything you need. Our vastly experienced team of sales people will measure everything for you and provide a competitive quotation at your request.

Animal and user safety is always at the forefront of our design, but needless to say these schemes vastly improve animal flow and reduce operating times.



[▶ VIEW PRODUCT VIDEO](#)



AI STALLS WITH REAR OPERATED FRONT GATES

Our AI stalls come as easy install kits. We offer a free on site design/measure up service to quote for AI stalls and all prices are on application.

CODE	DESCRIPTION	
595-01	2100mm long 5-rail wall fitting unit	£260.17
595-02	2100mm long 5-rail free standing unit	£283.82
595-03	2100mm long unit at 760mm centres, supplied as <ul style="list-style-type: none"> • 1 x side panel • 1 x front opening rear operated gate • 1 x rear gate 	£650.42
595-04	2100mm long end panel to complete above run	£390.25
595-11	Additional chain and hook assembly	£43.46

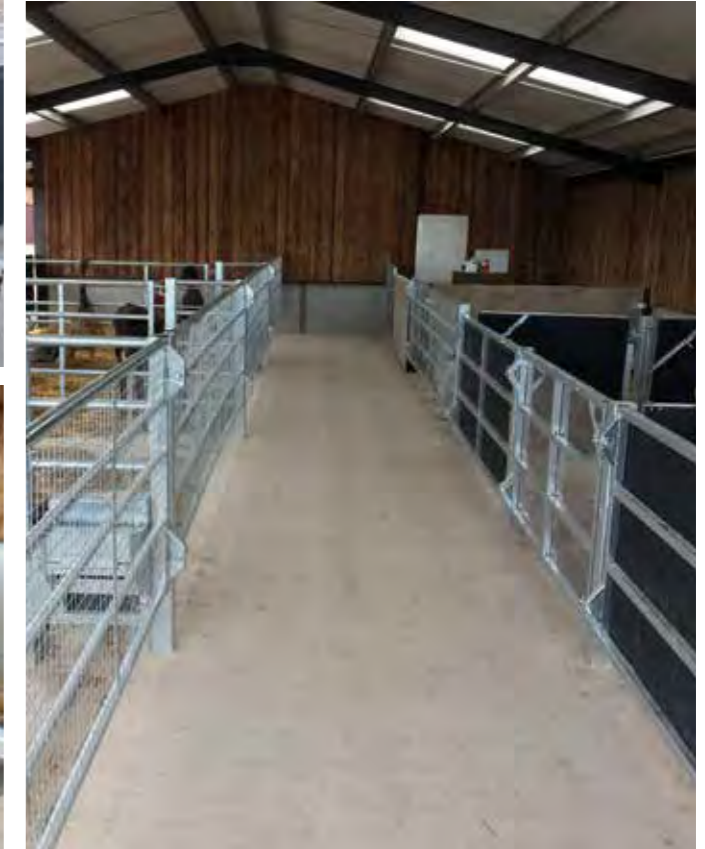


PIG EQUIPMENT

All pig gates are manufactured with a 40mm x40mm RHS frame and come complete with a diagonal locking bolt.

Sheeted versions are made 1250mm high. Stokbord cladding can be used on this option.

The vertical rail or meshed options are manufactured at 1145mm high as standard.



SPECIALIST PROJECTS

Bateman have supplied equipment for many zoos and farm parks across the UK and Europe.

These specialist schemes have included a rhino crush, elephant penning and alpaca handling systems.

We are flexible and very capable of fulfilling your requirements no matter how big the animal.



 VIEW PRODUCT VIDEO



FOLLOW US



YOU CAN FOLLOW US...

...TO TRADE SHOWS

You will find us at many popular trade shows this year. Our friendly and helpful Sales Representatives will be on hand to offer product demonstrations and provide information and answer any questions before you are ready to order with us.








...ON SOCIAL MEDIA

Our growing social media channels are updated daily with our latest work, so you will find an extensive selection of images and shining examples of completed successful jobs.

You will find testimonials and reviews, so you can be sure you are ordering with confidence.

We also run competitions, promote dealers, and share post from other users when tagged, using the #LMBateman tag – so get tagging us.



-  [LM Bateman & Co](#)
-  [lmbateman79](#)
-  [LMBateman79](#)
-  [lmbatemanuk](#)
-  [LM Bateman & Co](#)

Lined area for taking notes.

Lined writing area consisting of 30 horizontal lines.

BATEMAN

- ESTABLISHED 1979 -



LM BATEMAN & CO. LTD

Island Works, Cheadle Road, Cheddleton, Staffordshire ST13 7HN

+44 (0)1538 361 326 / sales@lmbateman.co.uk / www.lmbateman.co.uk